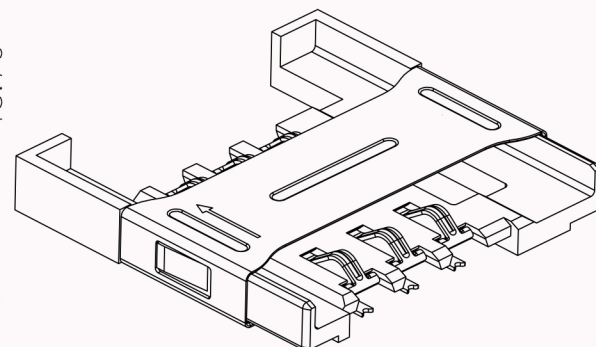
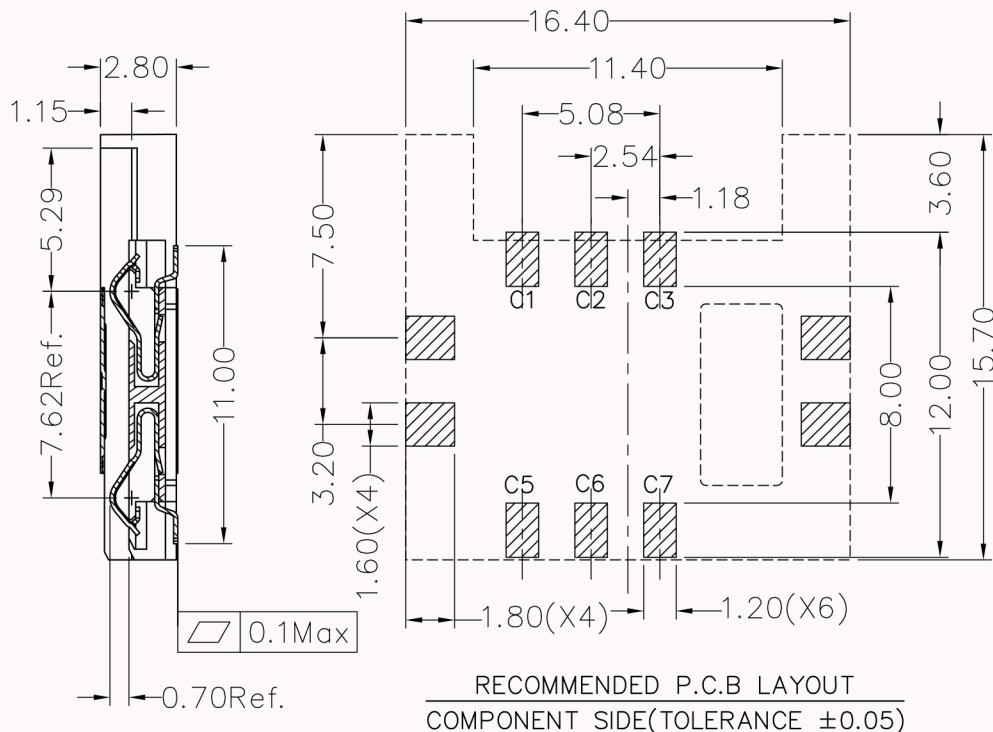
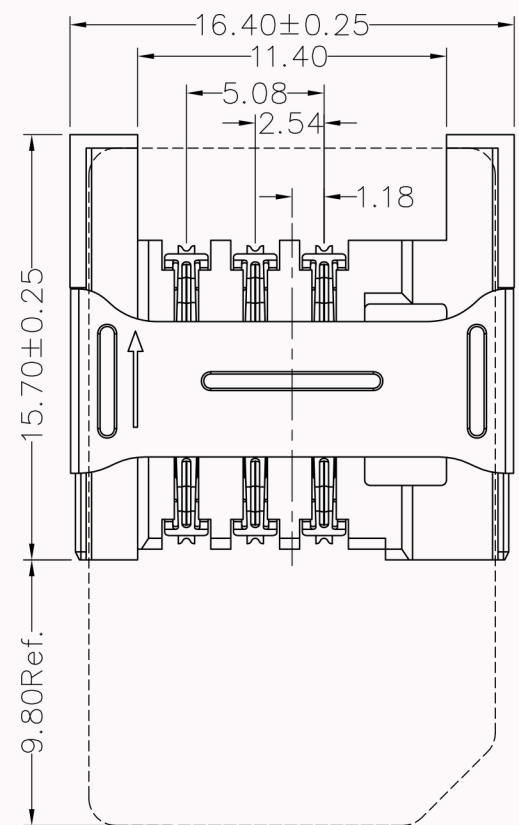
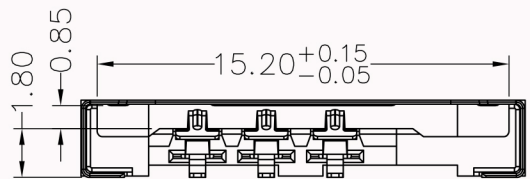


REV.	DESCRIPTION OF REVISIONS	APPR.	DRAW.	RELEASE	DATE
X1					
X2					



RECOMMENDED P.C.B LAYOUT
COMPONENT SIDE(TOLERANCE ±0.05)



TECHNICAL CHARACTERISTICS

- General Characteristics
 - Dimensions: 15.70LX16.40WX2.80H mm
 - Weight: Approx 0.53±0.2g
 - Durability: 5,000 cycles min.
- Electrical Characteristics
 - Contact resistance: 50mΩ typical, 100mΩ max
 - Insulation resistance: >1000MΩ/500V DC
- Solderability
 - Vaporphase: 215°C, 30sec. Max
 - IR reflow: 250°C, 5sec. Max
 - Manual soldering: 370°C, 3sec. Max
- Environmental Characteristics
 - Operating temperature: -40°C~+85°C
 - Operating humidity: 10%~+95%RH

ITEM	PART NAME	Q'TY	MATERIAL	FINISH
1	HOUSING	1	Hi-temp Thermoplastic	Black UL94V-0
2	DATA CONTACT	6	Copper Alloy	Contact area: Gold plated
3	SHELL	1	Stainless Steel	SMT area: Gold plated

Unless otherwise specified, other tolerance are:

深圳市微连电子有限公司
Shenzhen Shi Welink Electronics Co., Ltd

X	±0.35	X'	±5°	NAME:	SIM Card Connector	
X.X	±0.25	X.X'	±4°	MODEL NO.:	WL742	
X.XX	±0.15	X.XX'	±3°	TYPE :		
X.XXX	±0.10	X.XXX'	±2°	PROJ.	UNIT	SCALE
				mm	1:1	
DRAWN			Zoey Dec.07.2009	DWG NO.:		
CHECKED			Sean Dec.07.2009	SHEET	REVISION	
APPROVAL			Jun Dec.07.2009	1/1	X1	



CUSTOMER DRAWING