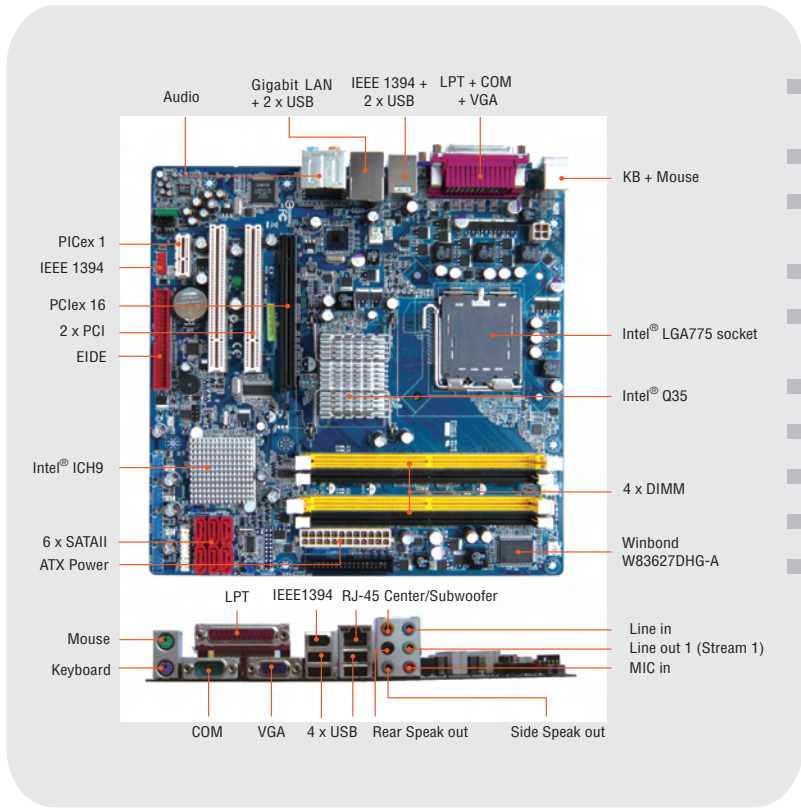


Features



- Supports 45nm Intel® Core™2 Quad series Processors
- Intel Q35 / ICH9DO Chipset
- Four DIMMs up to 8 GB 2-CH DDR2 800 SDRAM, non-ECC
- Intel® Graphics Media Accelerator 3100
- Realtek® ALC888 supporting 7.1-CH Multiple Audio Streams
- Intel® 82566DM PCI-E Gigabit LAN
- 1 PCIeX16, 1 PCIeX1, 2 PCI 2.3
- 1 COM, 12 USB, 6 SATA
- LSI FW3227 Supports 2 IEEE1394 ports
- Onboard TPM 9635TT 1.2



Micro ATX Motherboard

System

CPU	LGA775 socket for Intel® Core™2 Quad / Core™2 Duo Processors with 45nm process technology
FSB	1333 / 1066 / 800 MHz
BIOS	AMI 32 Mb SPI BIOS
System Chipset	Intel® Q35 GMCH / ICH9DO
I/O Chip	Winbond W83627DHG-A
System Memory	Four 240-pin DIMM sockets support up to 8 GB Dual Channel DDR2 800/667 SDRAM
H/W Status Monitor	Intel® Q35 GMCH / ICH9DO
Expansion	One PCI Express X16, one PCI Express X 1, two PCI (PCI Rev. 2.3 compliant)
S3 / S4	Yes
TPM	TPM1.2 (Infineon® TPM chip 9635 TT 1.2 on board)
IEEE 1394	LSI FW3227 support 2 IEEE1394 ports
Wake up Mode	LAN mode (PME / RPL)
SmartFan Control	Yes , support 3 modes (Silent/Optimal/Performance)

I/O

MIO	1 x EIDE 66/100/133, 6 x SATA, 1 x LPT, 1 x RS-232, 1x K/B, 1 x Mouse, 1 x FDD
USB	12 x USB 2.0

Display

Chipset	Intel® Q35 GMCH integrated Graphics Media Accelerator 3100
Display Memory	Intel® DVMT 4.0 supports up to 256 MB video memory
Max. Resolution	2048 x 1536 @ 32 bpp (75Hz)
VGA	Yes, on board GMA 3100
LVDS	Through ADD2 LVDS Card
DVI	Through ADD2 DVI Card
HDMI	Through ADD2 HDMI Card
Secondary VGA	Through ADD2 VGA Card

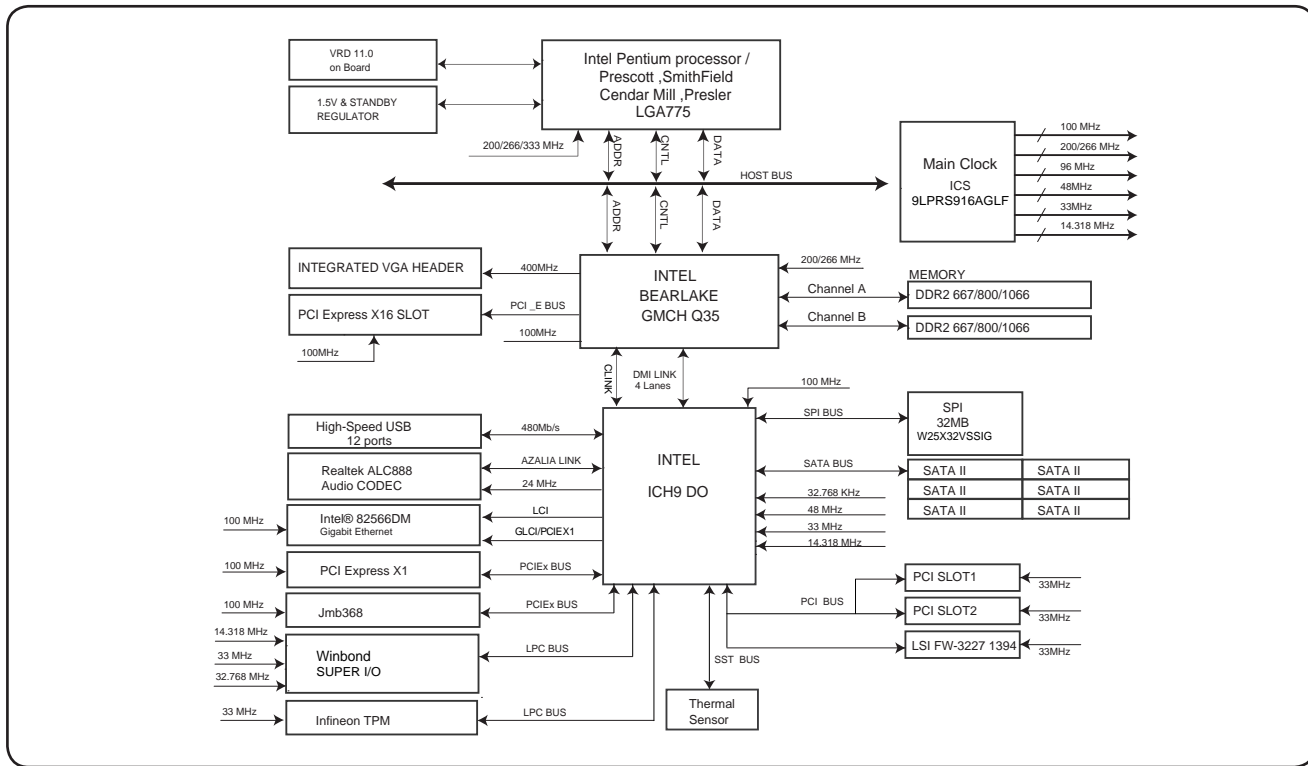
Audio

Audio Codec	Realtek ALC888 high-definition Audio Codec supports 7.1+2-CH two independent Audio streams
Audio Interface	Mic in, Line in, CD Audio in, Line out

Ethernet

LAN 1	Intel® 82566DM Gigabit LAN
--------------	----------------------------

Block Diagram



- 1 ATX
- 2 Micro ATX
- 3 Mini ITX
- 4 Nano ITX

Back Panel I/O Port

Back Panel I/O Port	<ul style="list-style-type: none"> 1 x PS/2 Keyboard 1 x PS/2 Mouse 1 x VGA port 1 x Parallel port 1 x COM Port 1 x IEEE1394a 1 x RJ45 port 4 x USB 2.0/1.1 Audio Jack (6 ports)
----------------------------	---

Internal I/O Connector

Internal I/O Connector	<ul style="list-style-type: none"> 4 x USB connectors support additional 8 USB ports 1 x Floppy disk drive connector 1 x IDE connector 6 x SATA connectors 1 x CPU Fan connector 1 x Chassis Fan connector 1 x Power Fan connector 1 x IEEE1394a connector 1 x Front panel header 1 x S/PDIF Out Header 1 x Chassis Intrusion header 1 x CD audio inheader 1 x 24-pin ATX Power connector 1 x 4-pin ATX 12V Power connector
-------------------------------	---

Mechanical & Environmental

Power Type	ATX
Operating Temperature	0~60°C (32~140°F)
Operating Humidity	0%~90% relative humidity, non-condensing
Size (L x W)	9.6" x 9.6" (243.84 mm x 243.84 mm)
Weight	1.32 lbs (0.6 Kg)

ERX-Q35-A1R

Intel® Q35 LGA775 Core™2 Quad Micro ATX Motherboard with VGA, Audio, Gb LAN, 1 COM, 12 USB, 1 PCI-E x16, PCI-Ex1, 2 PCI, 2 IEEE1394 & TPM w/ SATA cable, IDE cable, Bracket, CD driver