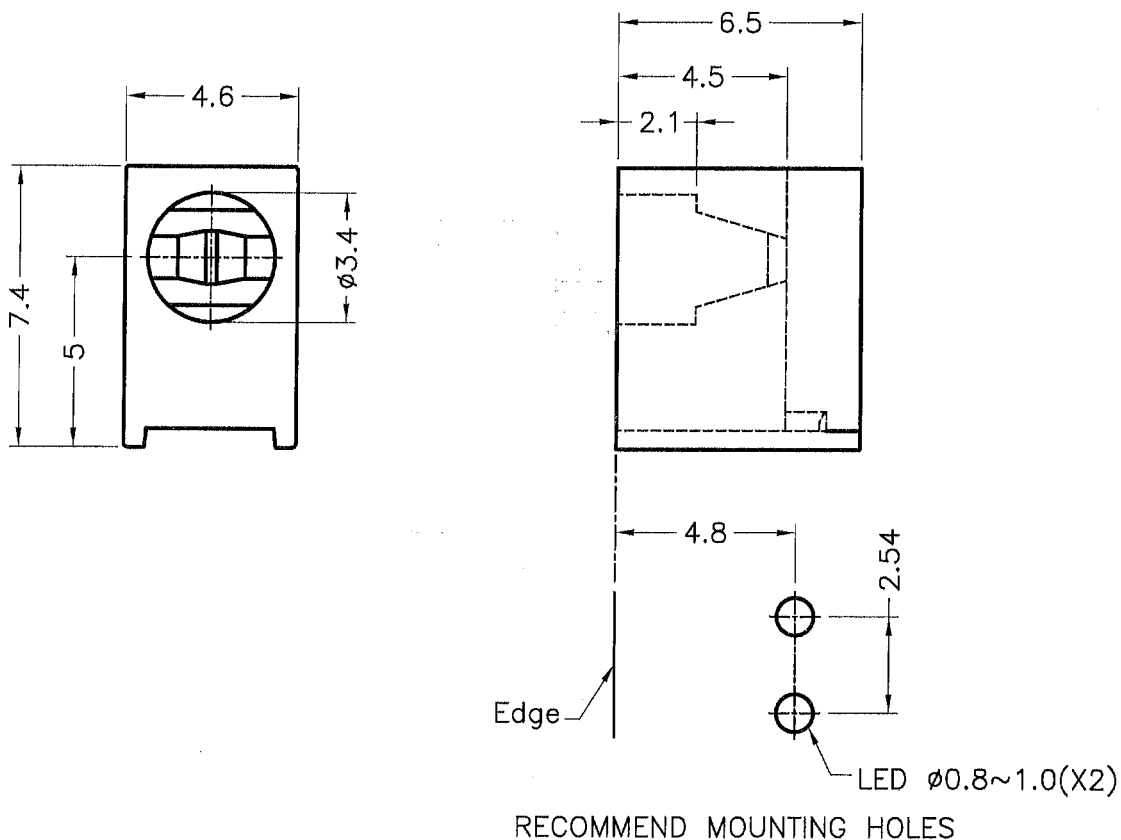


DIM.	TOL
L ≤ 10	±0.2
10 < L ≤ 30	±0.3
30 < L ≤ 50	±0.5
50 < L ≤ 100	±0.7
100 < L ≤ 250	±1.2
ABOVE 250	±1.5

REVISIONS			
REV	DESCRIPTION	DATE	BY



PART NO.	MATERIAL
LED-301	NYLON 66 UL94V-2
LED-301V0	NYLON 66 UL94V-0



<p>康揚企業股份有限公司 KANG YANG HARDWARE ENTERPRISE CO., LTD. 康揚塑膠(東莞)有限公司 KANG YANG PLASTIC(DONG GUAN) CO., LTD. 康哲電腦配件(吳江)有限公司 KANG CHE COMPUTER COMPONENTS(WUJIANG) CO., LTD.</p>	TITLE		LED HOLDER	SPEC. DWG.	
	MATERIAL		SEE ABOVE	DATE	
	FINISH			DRAWN	
	COLOR		BLACK	CHECK	
PART NUMBER	DRAWING NUMBER		UNLESS OTHERWISE SPECIFIED TOLERANCE		
SEE ABOVE	LED-301H		SEE ABOVE		
SIZE	SCALE	UNIT	REV	APPROVED	
A4	5:1	mm	B		