

TC2004A-01

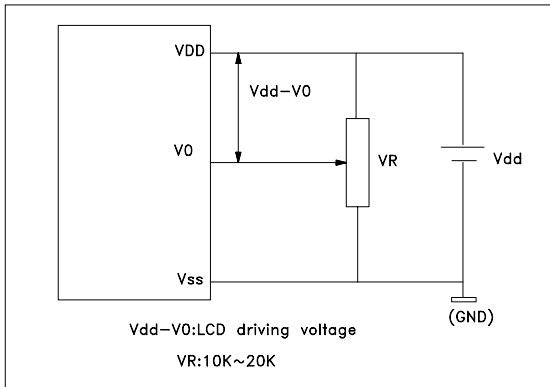
Series

Display Format	20 Characters X 4 Lines
Drive Method	1/16 Duty , 1/5 Bias
LCD Type	STN Yellow green
LED Backlight	Yellow
Viewing direction	6:00
Operating Temperature	-20C ~ +60C

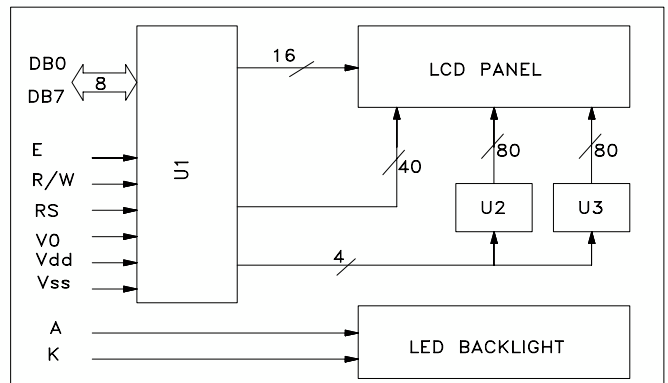
Electrical Characteristics

ITEM	Symbol	Condition	Standard value			UNIT
			Min.	Typ.	Max.	
Supply Voltage For Logic	$V_{DD}-V_{SS}$	--	4.5	5.0	5.5	V
Supply Voltage For LCD	$V_{DD}-V_0$	--	--	4.7	--	V
Input High Voltage	V_{IH}	--	2.2	--	V_{DD}	V
Input Low Voltage	V_{IL}	--	-0.3	--	0.6	V
output High Voltage	V_{OH}	$-I_{OH}-0.2mA$	2.4	--	--	V
output Low Voltage	V_{OL}	$I_{OL}-1.2mA$	--	--	0.4	V
Power Supply Current	V_{DD}	$V_{DD}-5.0V$	--	2.0	5	mA
With B/L	I_{LED}	$V_{LED}-5.0V$	--	180	360	mA

Power supply



Block Diagram



EXTERNAL DIMENSIONS AND DISPLAY PATTERN

