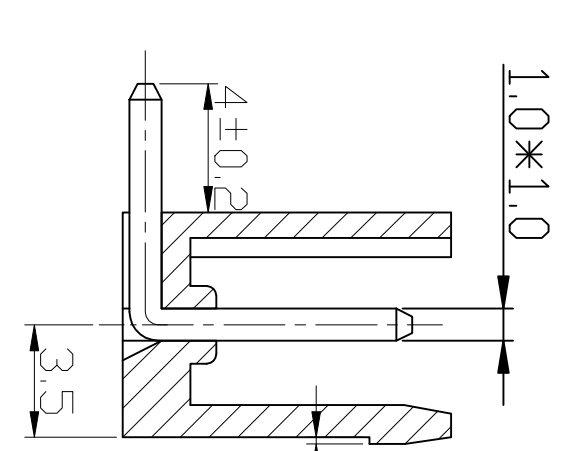
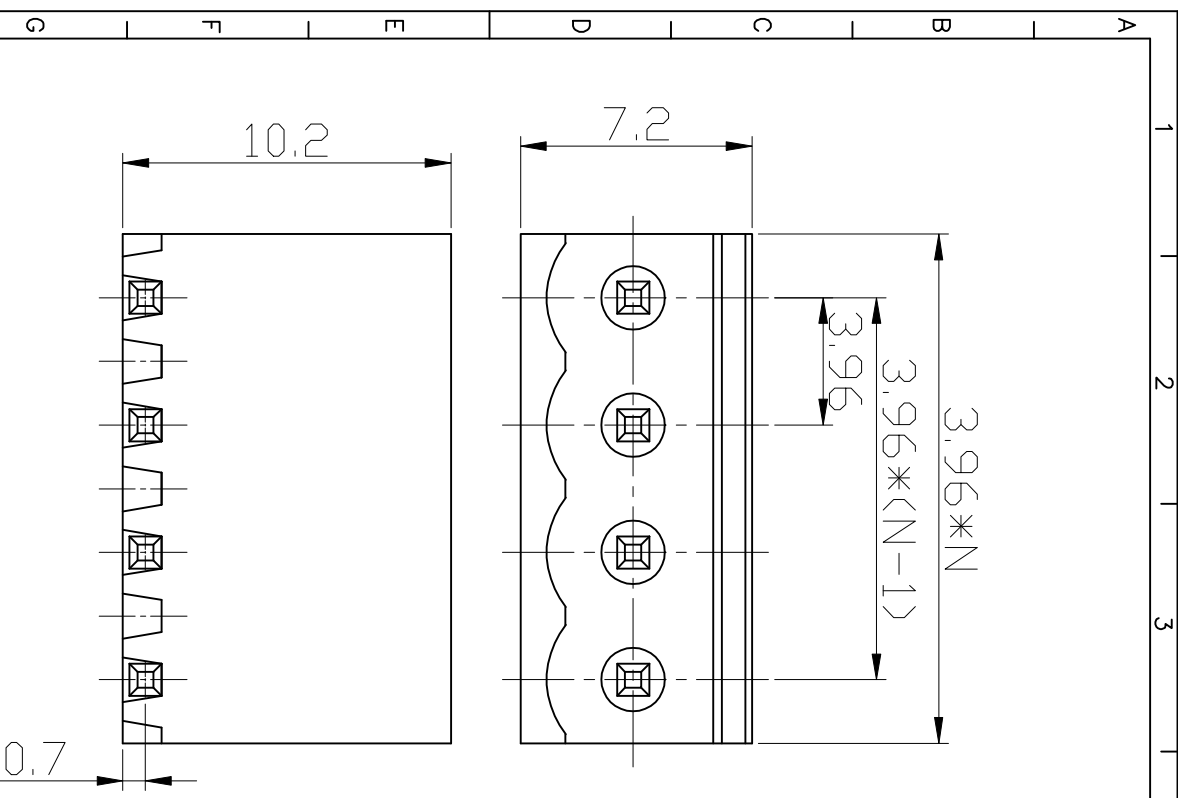


REV.	DESCRIPTION	DRAWN	CHECKED	APPROVED

Material
Pin Header: Brass, Tin Plated
Housing: PA66, UL94V-0
Electrical
Rated Voltage: 150V
Rated Current: 8A
Contact Resistance: 20mOhm
Insulation Resistance: 5000MOhm/1000V
Withstanding Voltage: AC 1500V/1Min
Mechanical
Temp. Range: -40C - +150C
Max. Soldering: +250C for 5sec



GENERAL TOLERANCE		ANGLE TOLERANCE	
X	±0.20	X	±2°
.X	±0.15	.X	±1°
.XX	±0.10	.XX	±0.5°
DRAWING TYPE		SHEET	
SCALE		1 OF 1	
DRAWING NO.			

PROJECTION	④	TITLE	PLUGGABLE TERMINAL BLOCKS
UNITS	mm	PITCH	3.96MM
SHEET SIZE	A4	SERIES	HT396R SERIES

KALFENG ELECTRONIC
DFP
慈溪市凯峰电子有限公司
KAIFENG ELECTRONIC CO.,LTD