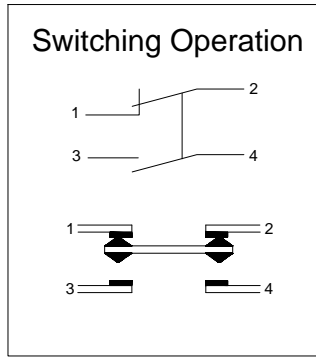
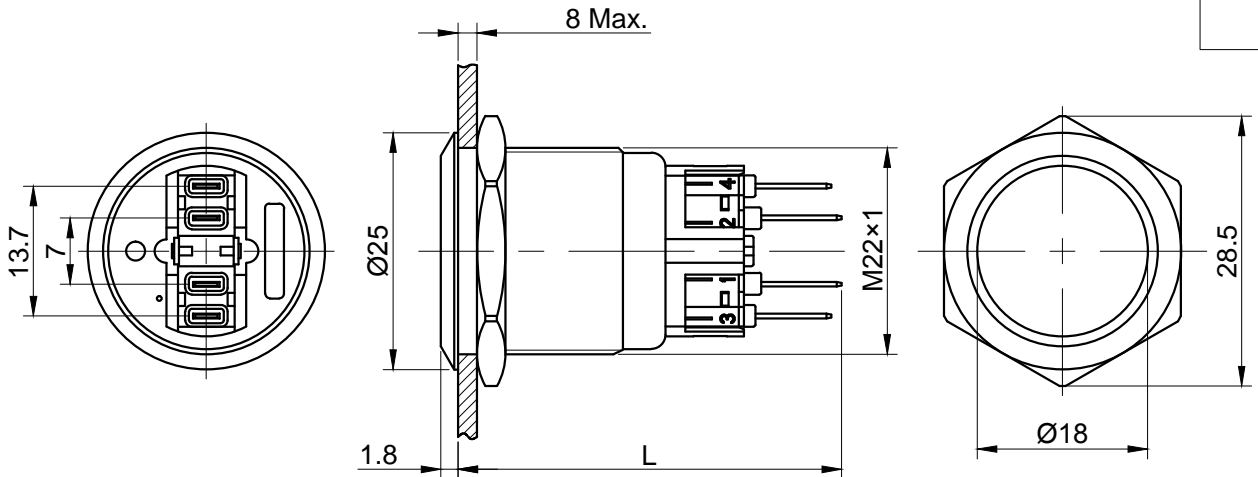


FOR 客户名称	APPROVED 客户确认签字	ATTN 销售负责人



1, 2, 3, 4 are one set;  
1,2 are normal closed(NC);  
3,4 are normal opened(NO).

L: Momentary is 35.8  
Latching is 40.5



PANEL CUTOUT  
MAX.PANEL THICKNESS  
8 mm

Seal Ring

Part Number:GQ22-11 ■/◎

"■"	Operation mode	"◎"	Crust Material
No Letter	Momentary	S	Stainless Steel
Z	Latching	A	Al alloy(Black)

**SPECIFICATIONS:**

- 1.Switch Rating: AC220V/2A, DC220V/0.1A.
- 2.Mechanical Life: ≥1,000,000cycles.
- 3.Electrical Life: ≥50,000cycles.
- 4.Contact Resistance: ≤50mΩ.
- 5.Insulation Resistance: ≥1,000MΩ.
- 6.Dielectric Strength: 1,500V, RMS 50Hz, 1min.
- 7.Operating Temperature: -25°C~ +55°C(No Freezing).
- 8.Operating Force: About 4N.
- 9.Operating Travel: About 2.5mm.
- 10.Torque: About 0.6Nm max.applied to nut.
- 11.IP Class: IP65,IP67(Momentary can made to order).
- 12.Terminal Type: Pin Terminal(2.8 x 0.5mm).

**MATERIALS:**

- 1.Contact: Silver alloy.
- 2.Button: ◎.
- 3.Body: ◎.
- 4.Base: PA.

BRAND 品牌 <b>ONPOW</b>	红波按钮制造有限公司 ONPOW PUSH BUTTON MANUFACTURE CO.,LTD.		
	USED 用途	APPD 审核	CH 2020/04/26
THESE DRAWINGS AND SPECIFICATIONS ARE THE PROPERTY OF ONPOW PUSH BUTTON MANUFACTURE CO.,LTD. AND SHALL NOT BE REPRODUCED COPIED OR USED IN ANY MANNER WITHOUT THE PRIOR WRITTEN CONSENT OF ONPOW PUSH BUTTON MANUFACTURE CO.,LTD.	FINISH 处理	CHKD 校对	NCH 2020/04/26
	SCALE 比例	1.2 / 1	UNIT 单位 mm
TITLE 名称 GQ Series Anti-vandal push button		DR. 制图 ZPD 2020/04/26	
DWG NO. 图号 GQ22-11		SIZE 图纸 A4	
FILE NAME 档案名称 GQ22不带灯.DWG		SHEET 张	1 / 1
		REV. 更改	1