



### Features

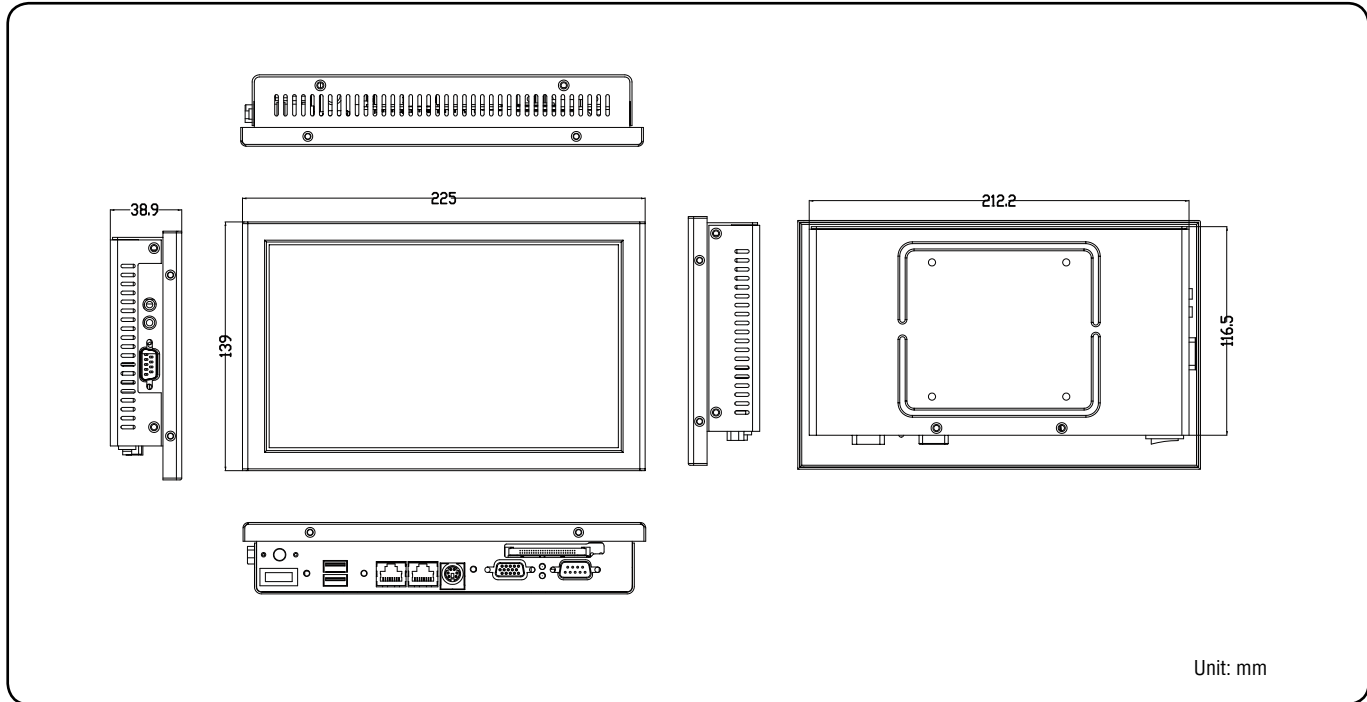
- 8.9" WSVGA TFT Touch Panel PC
- 5-wire Resistive Touch Screen
- FPC-08WA1 :AMD Geode LX800/CS5536 Chipset  
FPC-08W04: Intel® 945GSE / ICH7-M Chipset
- VGA, Audio
- Dual Ethernet / Gigabit Ethernet, Optional WiFi Module
- 1 CF, 2 COM, 2 USB
- Fanless & +12V Single Power Input  
Wide Range Voltage Input +10V~+28V (FPC-08WA1)
- VESA Compliance



### Specifications

| Model Name            | FPC-08WA1  | FPC-08W04  |
|-----------------------|--|--|
| • LCD Size            | 8.9"   | 8.9"   |
| • Display Type        | WSVGA TFT  | WSVGA TFT  |
| • Resolution          | 1024 x 600   | 1024 x 600   |
| • Color               | 262 K  | 262 K  |
| • Pixel Pitch         | 0.1905 mm(H) x 0.189 mm(V)                                     | 0.1905 mm(H) x 0.189 mm(V)                                       |
| • Luminance           | 220 cd/m <sup>2</sup>  | 220 cd/m <sup>2</sup>  |
| • Contrast Ratio      | 300  | 300  |
| • Viewing Angle       | 15 (U), 35 (D), 45 (L), 45 (R)                                 | 15 (U), 35 (D), 45 (L), 45 (R)                                   |
| • Response Time       | 30 ms  | 30 ms  |
| • Back Light          | LED  | LED  |
| • Touch Screen        | 5-wire Resistive   | 5-wire Resistive   |
| • Light Transmission  | 80%  | 80%  |
| • Touch Interface     | USB onboard touch interface                                    | USB  |
| <b>System</b>         |  |  |
| • CPU                 | Onboard AMD Geode LX800 @ 0.9 W 500 MHz with 128K L2 Cache CPU | Intel® Atom™ N270 1.6 GHz CPU                                    |
| • Cooling Method      | Passive CPU heatsink   | Passive CPU heatsink   |
| • System Chipset      | AMD Geode LX800 / CS5536                                       | Intel® 945GSE / ICH7-M   |
| • I/O Chip            | Winbond W83627HG-AW  | ITE IT8712F  |
| • System Memory       | Onboard 512 MB DDR Memory                                      | One 200-pin SODIMM socket supports up to 2 GB DDR2 400/533 SDRAM |
| • SSD                 | 1 x CompactFlash Type I/II socket (internal)                   | 1 x CompactFlash Type I/II socket (internal)                     |
| • VGA                 | 1 x DB-15  | 1 x DB-15  |
| • Audio               | Line out, Mic in   | Line out, Mic in   |
| • WiFi                | Optional USB WiFi 802.11 b/g (occupy one USB port)             | Optional USB WiFi 802.11 b/g                                     |
| • Expansion Interface | n/a  | 1 x PCIe Mini Card slot  |
| <b>Rear I/O</b>       |  |  |
| • Serial Port         | 1 x RS-232, 1 x RS-232/422/485                                 | 1 x RS-232, 1 x RS-232/422/485                                   |
| • Ethernet            | 2 x RJ-45 ( Realtek RTL8101L LAN )                             | 2 x RJ-45 ( Marvell 88E8053 Gigabit Ethernet )                   |
| • USB Port            | 2 x USB 2.0  | 4 x USB 2.0  |
| • Mouse & K/B         | 1 x PS/2 KB/MS   | n/a  |

### Diagram



#### Environment & Mechanical

|                                |   |
|--------------------------------|---|
| • <b>Color</b>                 | Front Panel Black; Rear Body Black      |
| • <b>Mounting</b>              | Wall Mount/Stand/VESA 75 x 75 mm        |
| • <b>Power Input</b>           | 100~250 Vdc/ 47~63 Hz                   |
| • <b>Power Output</b>          | +12 Vdc / 5 A (60W)                     |
| • <b>Operating Temperature</b> | 0~40°C / -10°C ~ 60°C (FPC-08WA1)       |
| • <b>Storage Temperature</b>   | -10°C ~ 50°C / -20°C ~ 70°C (FPC-08WA1) |
| • <b>Relative Humidity</b>     | 10 to 95% @ 40°C, non-condensing        |
| • <b>Dimension (W x D x H)</b> | 225 mm x 139 mm x 38.9 mm               |
| • <b>Weight</b>                | 1.26 Kgs                                |

### Ordering Information

- **FPC-08WA1**  
8.9" WSVGA TFT Touch Panel PC with AMD Geode LX800, 5-wire resistive Touch Panel
- **FPC-08W04**  
8.9" WSVGA TFT Touch Panel PC with Intel® 945GSE Chipset, 5-wire resistive Touch Panel
- **ACC-WIFI-USB-5R**  
VNT6656G6A40-OE+PL99G26-130011(ANTENNA)
- **ACC-ARM-01R (Z Type)**  
VESA STAND, 75 mm
- **ACC-CF-XX**  
CompactFlash Card Series (xx=Capacity, Capacity Option: 128, 256, 512 MB, 1, 2, 4, 8 GB)

1  
Embedded System

2  
LPC Series

3  
PPC Series

4  
FPC Series

5  
VTP Series

6  
MTP Series

7  
ETX/COM Express

8  
3.5" SBC

9  
EPIC

10  
Half-size

11  
5.25" SBC

12  
PC/104

13  
Peripherals

14  
Index