


Product number CN11770_IRIS

Family	Iris	FWHM	14 degrees
Type	Pack	Efficiency	90 %
LED	XHP70	cd/lm	5.700
Color	Black	Gerber File	Available
Diameter	38 mm	Shipped as unassembled - lens and holder separately.	
Height	28.1 mm		
Style	Round		
Optic Material	PMMA		
Holder Material	-		
Fastening	["pin", "glue"]		
Status	Production ready		


Product number CN11771_IRIS-M

Family	Iris	FWHM	30 degrees
Type	Pack	Efficiency	83 %
LED	XHP70	cd/lm	2.100
Color	Black	Gerber File	Available
Diameter	38 mm	Shipped as unassembled - lens and holder separately.	
Height	29.6 mm		
Style	Round		
Optic Material	PMMA,PMMA		
Holder Material	-		
Fastening	["pin", "glue"]		
Status	Production ready		


Product number CN11772_IRIS-O

Family	Iris	FWHM	31+42 degrees
Type	Pack	Efficiency	77 %
LED	XHP70	cd/lm	1.400
Color	Black	Gerber File	Available
Diameter	38 mm	Shipped as unassembled - lens and holder separately.	
Height	29.6 mm		
Style	Round		
Optic Material	PC,PMMA		
Holder Material	-		
Fastening	["glue", "pin"]		
Status	Production ready		

NOTE: The typical divergence will be changed by different color, chip size and chip position tolerance. The typical total divergence is the full angle measured where the luminous intensity is half of the peak value.



PRODUCT DATASHEET

Iris series

last update 16/5/2012

GENERAL INFORMATION

- Product series especially designed & optimized for XHP70 series of LEDs.
- Special care taken to make light distribution as uniform as possible.
- Lens material optical grade PMMA with high UV and temperature resistance. Allows use of high current and temperature conditions.

Please find more information about used material from below:

http://ledil.fi/sites/default/files/Documents/Technical/Material/PMMA%20N%20UL94_Yellow%20Card.pdf

<http://ledil.fi/sites/default/files/Documents/Technical/Material/PMMA%20N%20PLEXIGLAS-Datasheet.pdf>

D

C

B

A

4

4

3

3

2

2

1

1

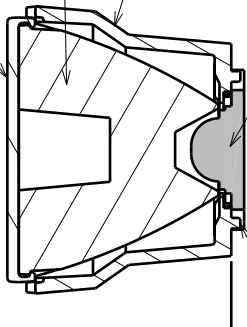
Optional Sublens

Iris Lens

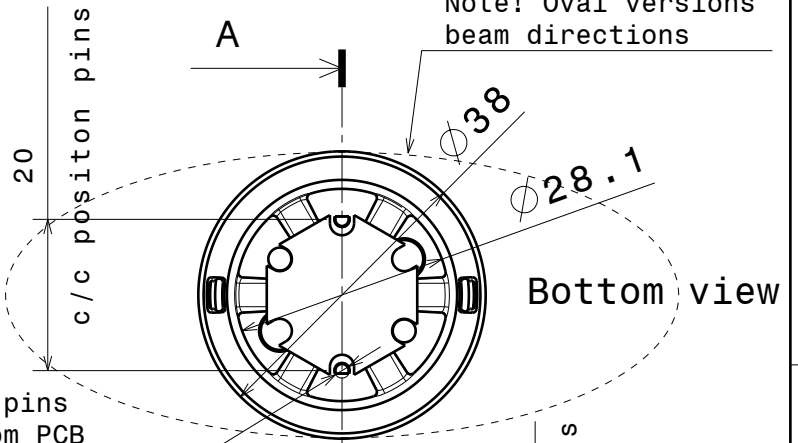
Iris SST-Holder

Led

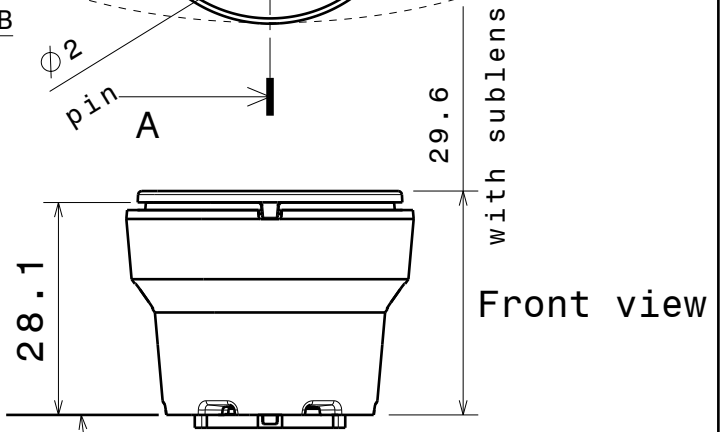
Section view A-A



Position pins for custom PCB



Bottom view

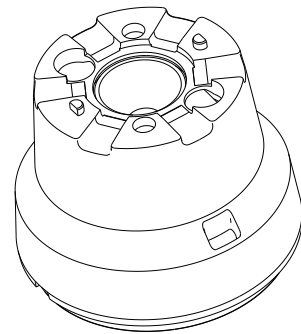


Front view

top of PCB

Materials:
Lens PMMA
Holder PC

Isometric view,
lenses & holder



This drawing is our property.
It can't be reproduced
or communicated without
our written agreement.



L
T
F
F

e
e
i
i
N
n

d

DRAWING TITLE

Datasheet Iris-SST assy

DRAWN BY

DATE

p

29.10.2010

CHECKED BY

DATE

t

k

29.10.2010

DESIGNED BY

DATE

pv

28.04.2010

SIZE

A4

DRAWING NUMBER

-

REV

1

SCALE

1:1

WEIGHT (g)

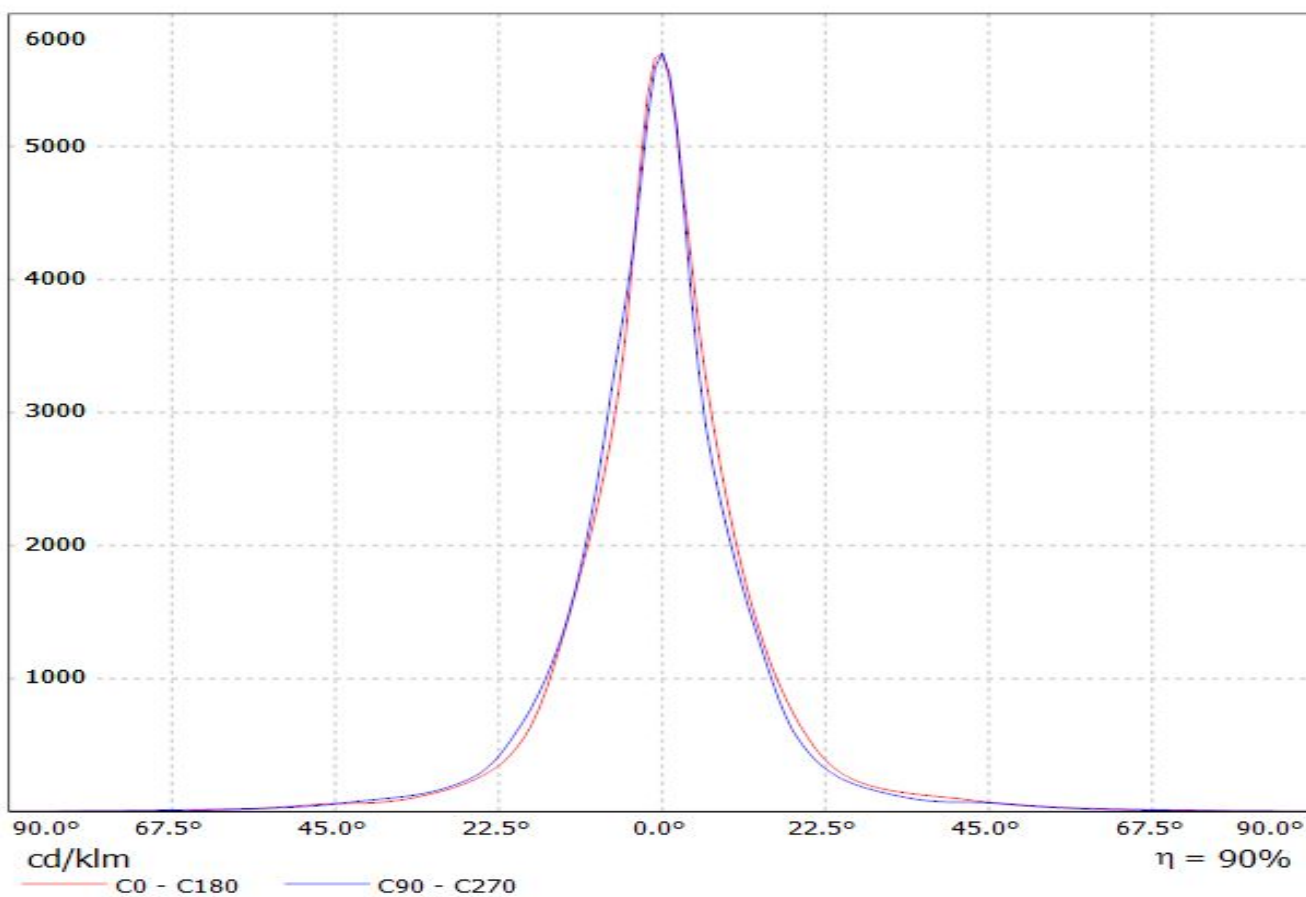
SHEET

1/1

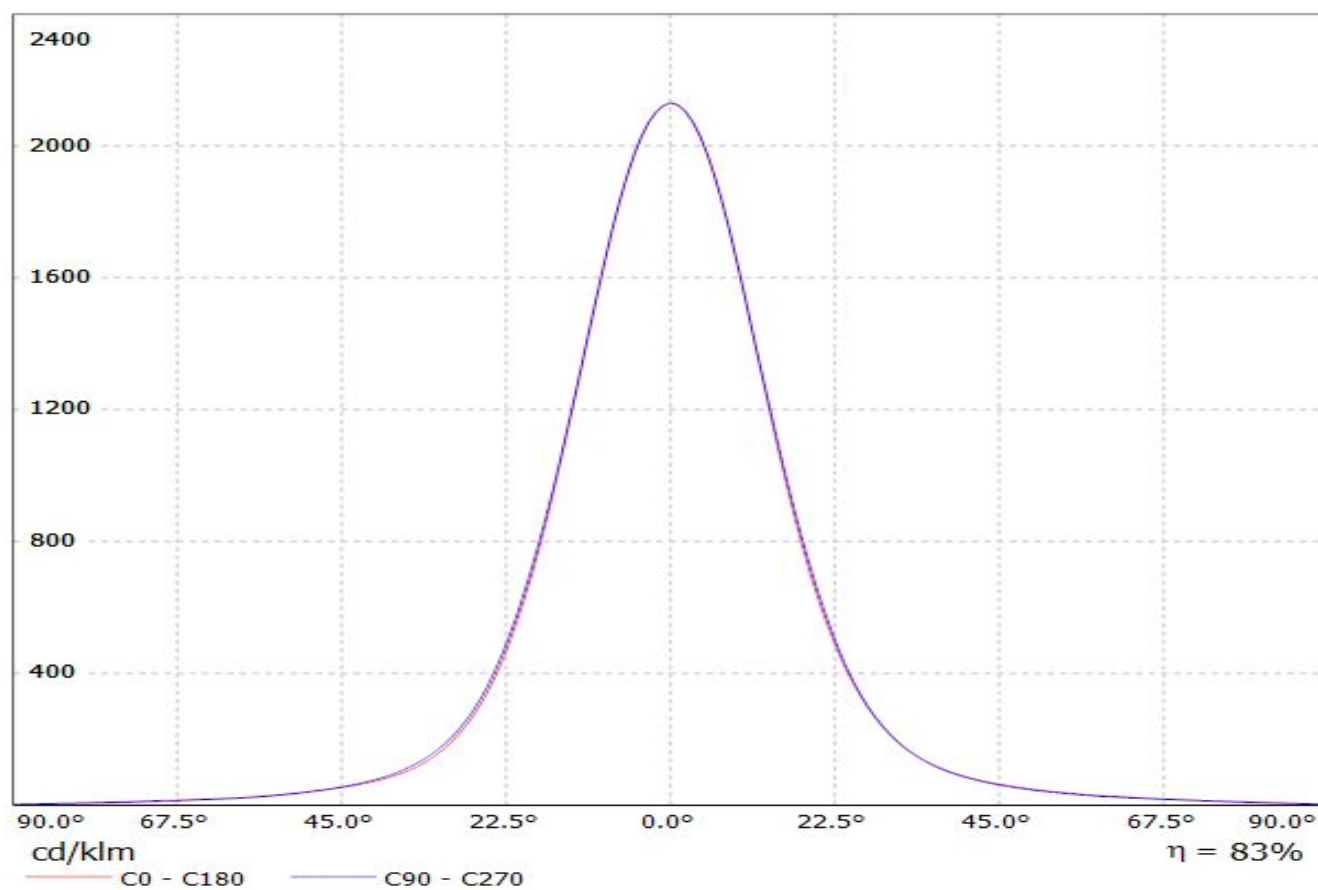
D

A

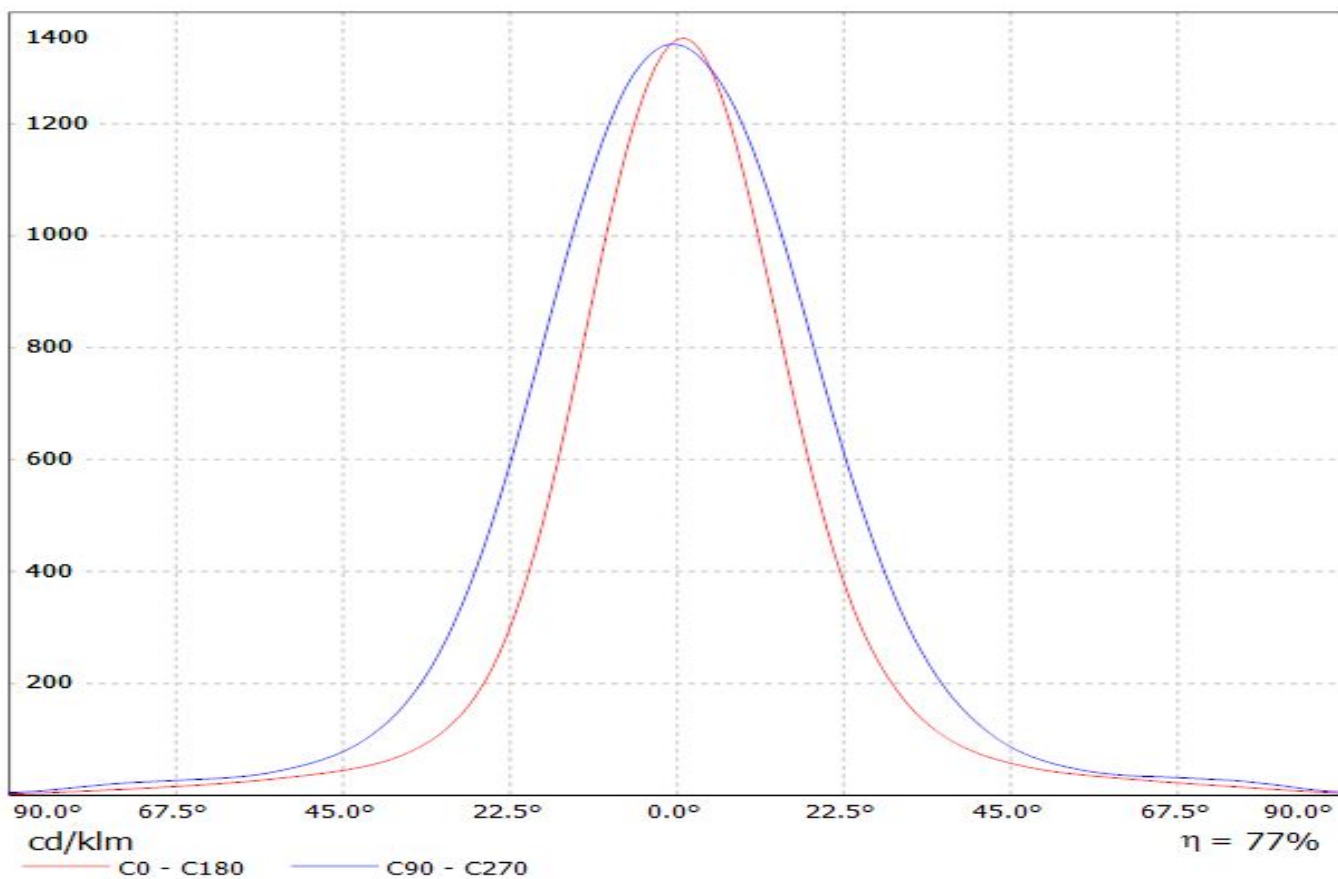
Luminaire: EVERFINE CN11770_IRIS_(CREE_XHP70)
Lamps: 1 x CREE_XHP70_288.639lm@250mA_P=2.69892W_η=0.2499A



Luminaire: EVERFINE CN11771_IRIS-M_(CREE_XHP70)
Lamps: 1 x CREE_XHP70_288.639lm@250mA_P=2.69892W_I=0.2499A

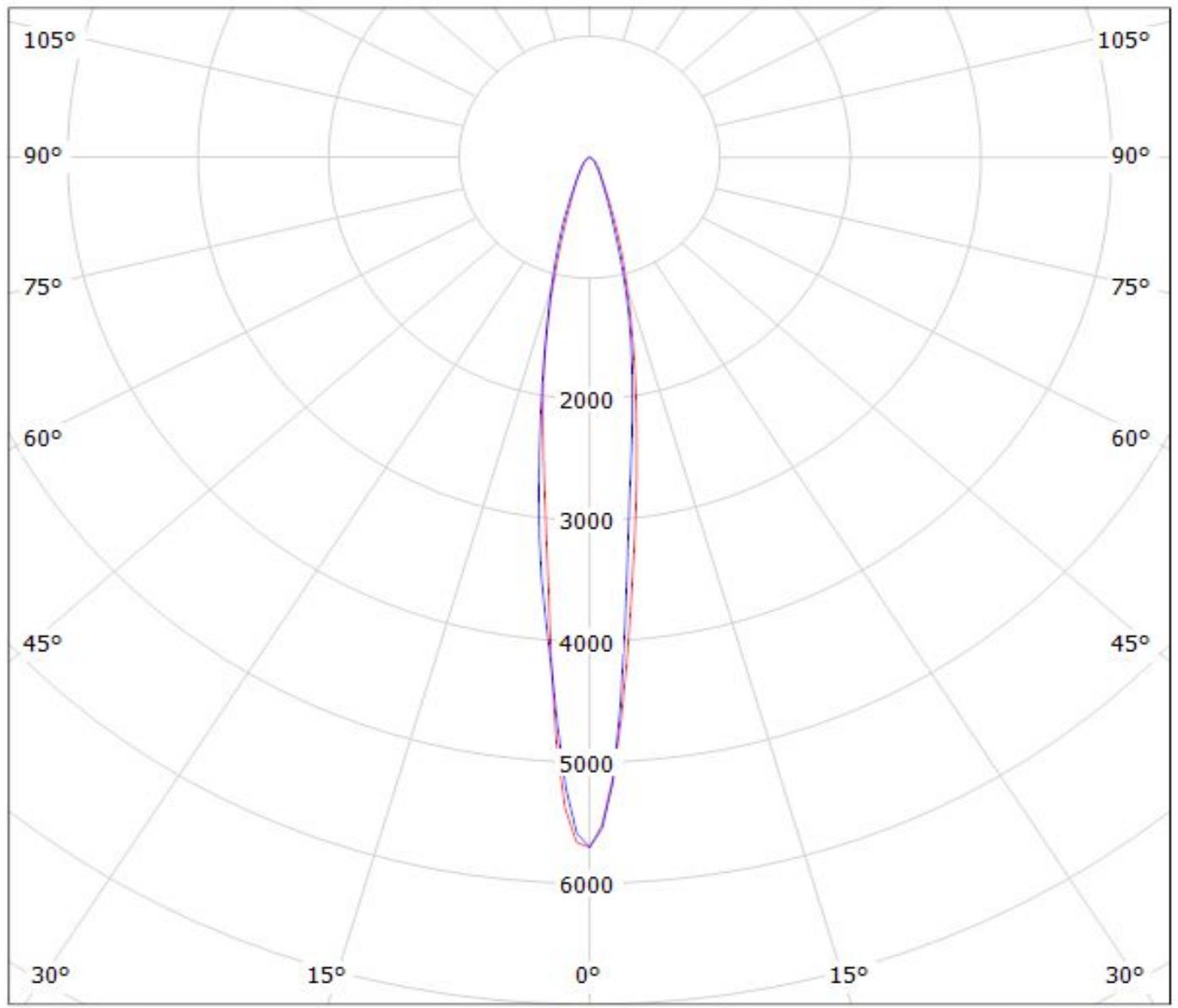


Luminaire: EVERFINE CN11772_IRIS-O_(CREE_XHP70)
Lamps: 1 x CREE_XHP70_288.639lm@250mA_P=2.69892W_I=0.2499A



Luminaire: EVERFINE CN11770_IRIS_(CREE_XHP70)

Lamps: 1 x CREE_XHP70_288.639lm@250mA_P=2.69892W_I=0.2499A



cd/klm

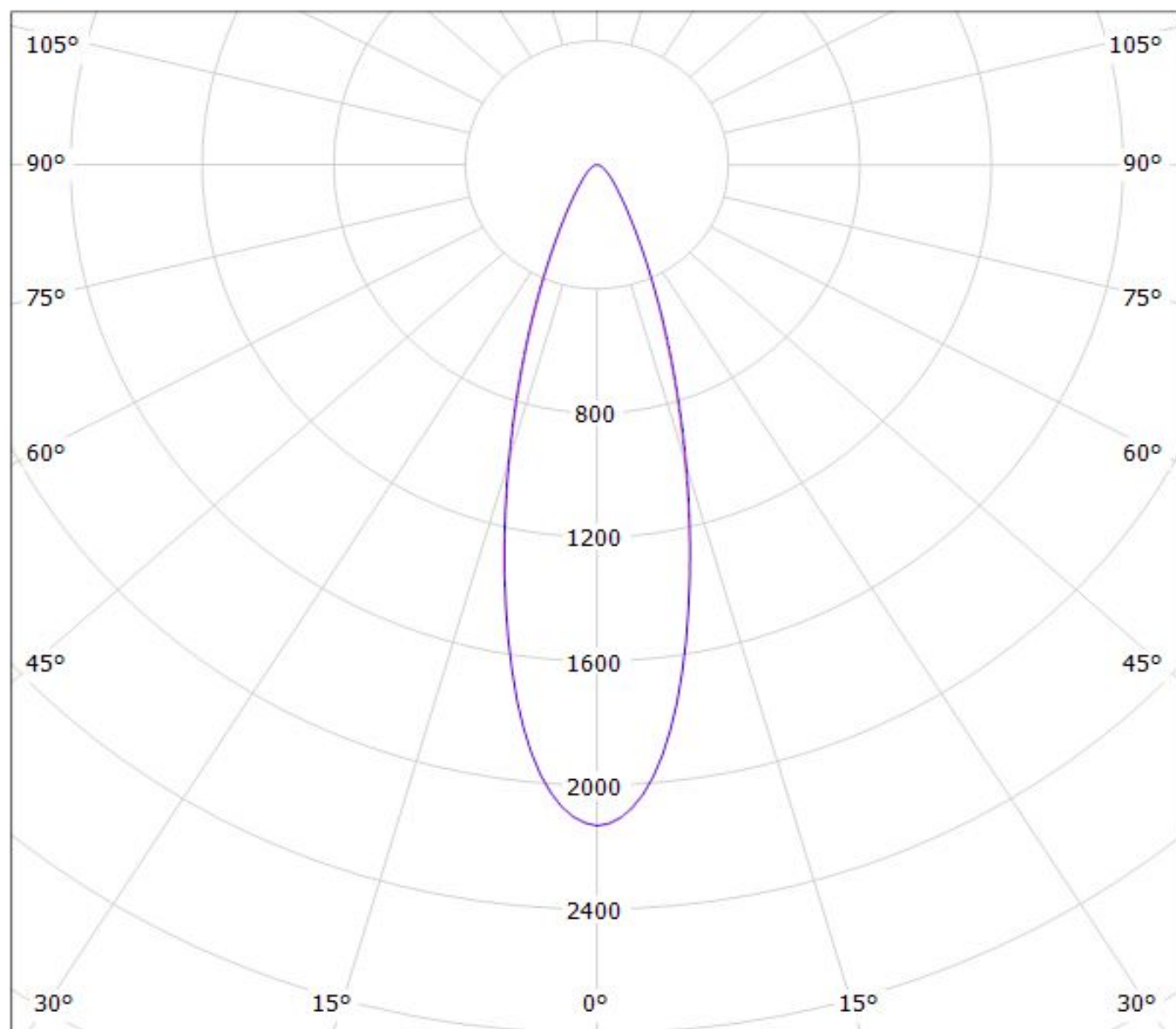
— C0 - C180

— C90 - C270

$\eta = 90\%$

Luminaire: EVERFINE CN11771_IRIS-M_(CREE_XHP70)

Lamps: 1 x CREE_XHP70_288.639lm@250mA_P=2.69892W_η=0.2499A



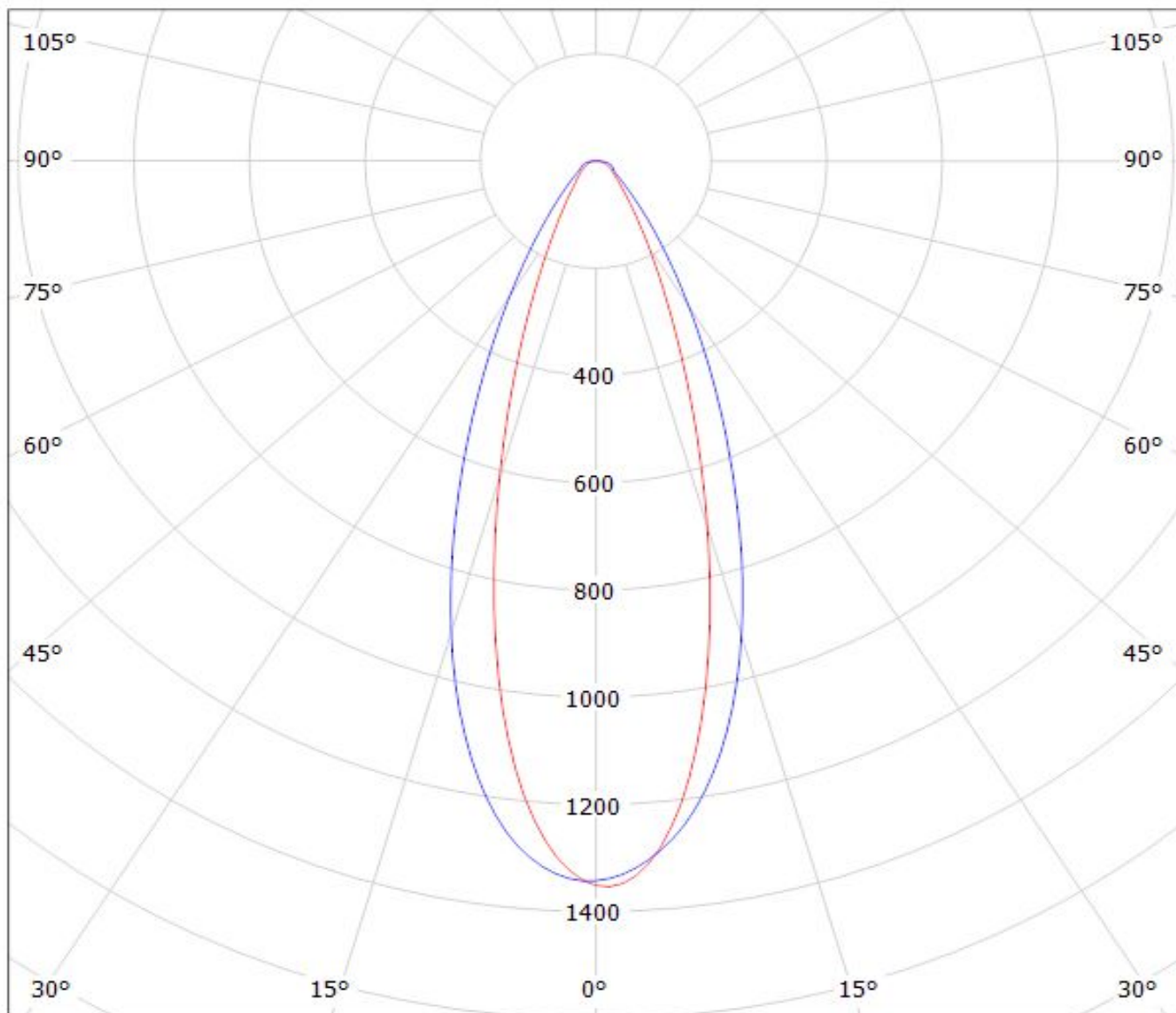
cd/klm

— C0 - C180

— C90 - C270

$\eta = 83\%$

Luminaire: EVERFINE CN11772_IRIS-O_(CREE_XHP70)
Lamps: 1 x CREE_XHP70_288.639lm@250mA_P=2.69892W_I=0.2499A



cd/klm

— C0 - C180

— C90 - C270

$\eta = 77\%$