

DETAILS

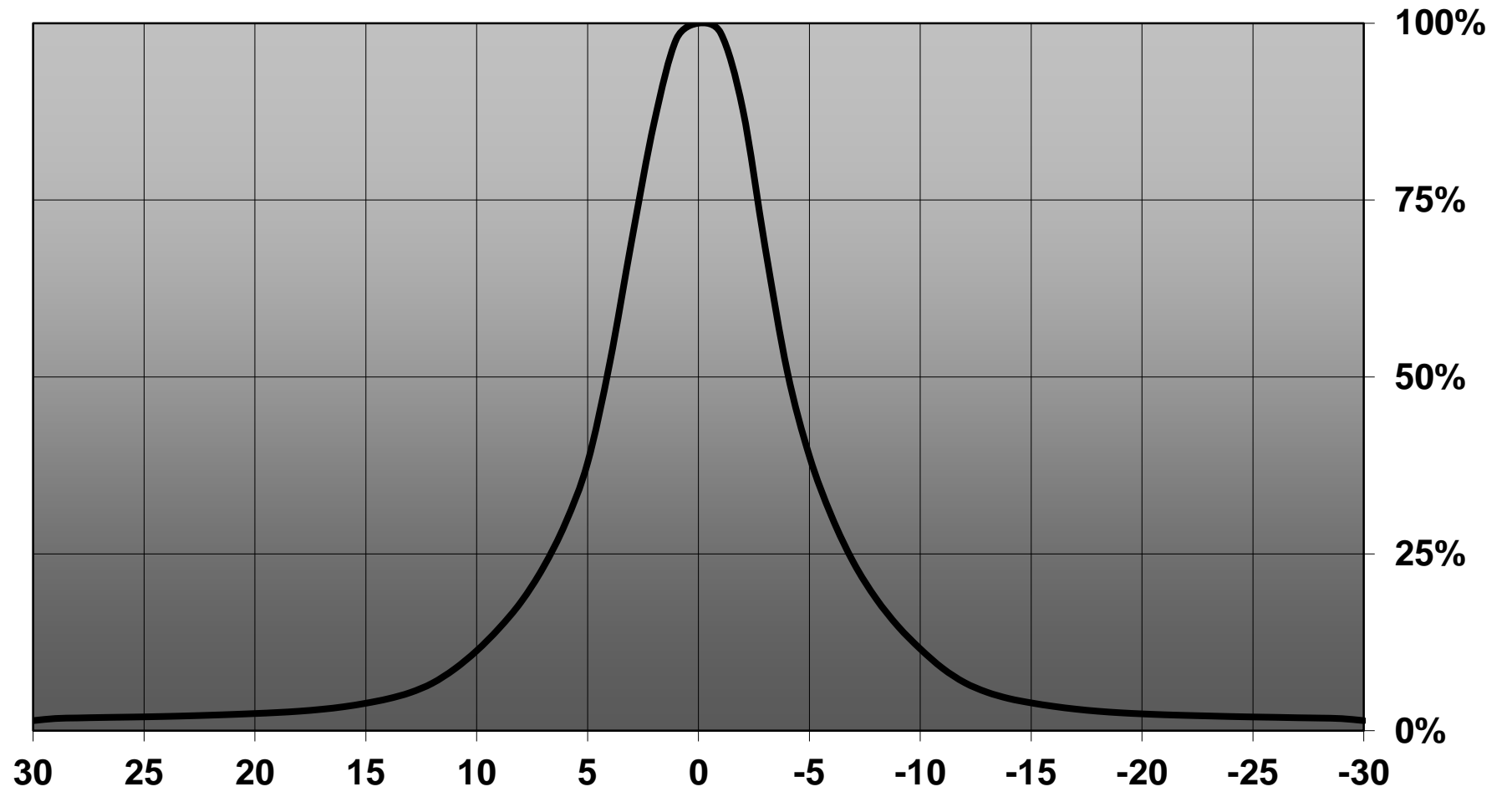
Product Number	C11347_REGINA
Family	Regina
Type	Reflector
Color	metal
Diameter	19 mm
Height	15,3 mm
Style	round
Optic Material	PC
Holder Material	
Fastening	pin, glue
Status	production ready
ROHS Compliant	Yes
Date Updated	19/05/2016



OPTICAL PROPERTIES

LED	Viewing	Light	Effi-	cd/lm	Connector
	Angle	Beam	ciency		
XP-G	10 deg	Real spot	86 %	-	-
XP-E	8 deg	Real spot	86 %	-	-
XP-L HI	8.2 deg	Real spot	84 %	16.900	-
LUXEON Rebel	7 deg	Real spot	89 %	-	-
LUXEON Rebel ES	10 deg	Real spot	89 %	-	-
NCSxx19A	10 deg	Real spot	84 %	-	-
NVSxx19A	10 deg	Real spot	84 %	-	-
Oslon SSL 80	10 deg	Real spot	89 %	-	-
Oslon SSL 150	6 deg	Real spot	84 %	24.000	-
Z5	11 deg	Real spot	-	-	-

Relative intensity of C11347_REGINA_(XP-L_HI)



D

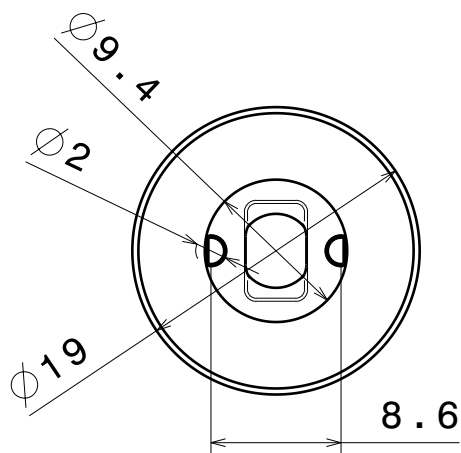
C

B

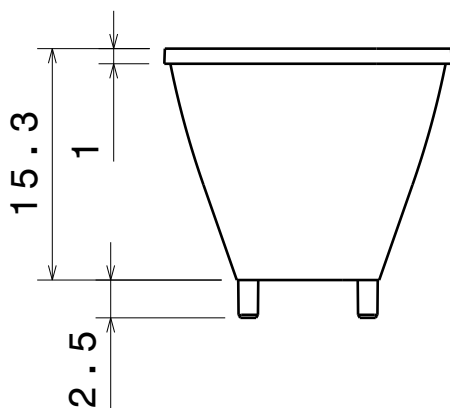
A



Isometric view
Scale: 1:1



Bottom view



Front view

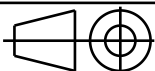
INDEX	PART NO	DESCRIPTION	MATERIAL	COLOUR
1	C11347	REGINA	PC	metal

Tolerances if not otherwise shown
According to DIN ISO 2768-1
Linear measures:
Up to 30mm class M, otherwise class C.
According to DIN ISO 2768-2
Form and position: class L

LEDiL

Ledil Oy
Salorankatu 10
FIN 24240 SALO
Finland

THIRD ANGLE PROJECTION:



DRAWING TITLE

C11347_Regina

This drawing is the property
of LEDiL Oy. It may not be
reproduced, copied or
communicated without a written
agreement with LEDiL Oy.

SIZE PART NUMBER

A4

C11347

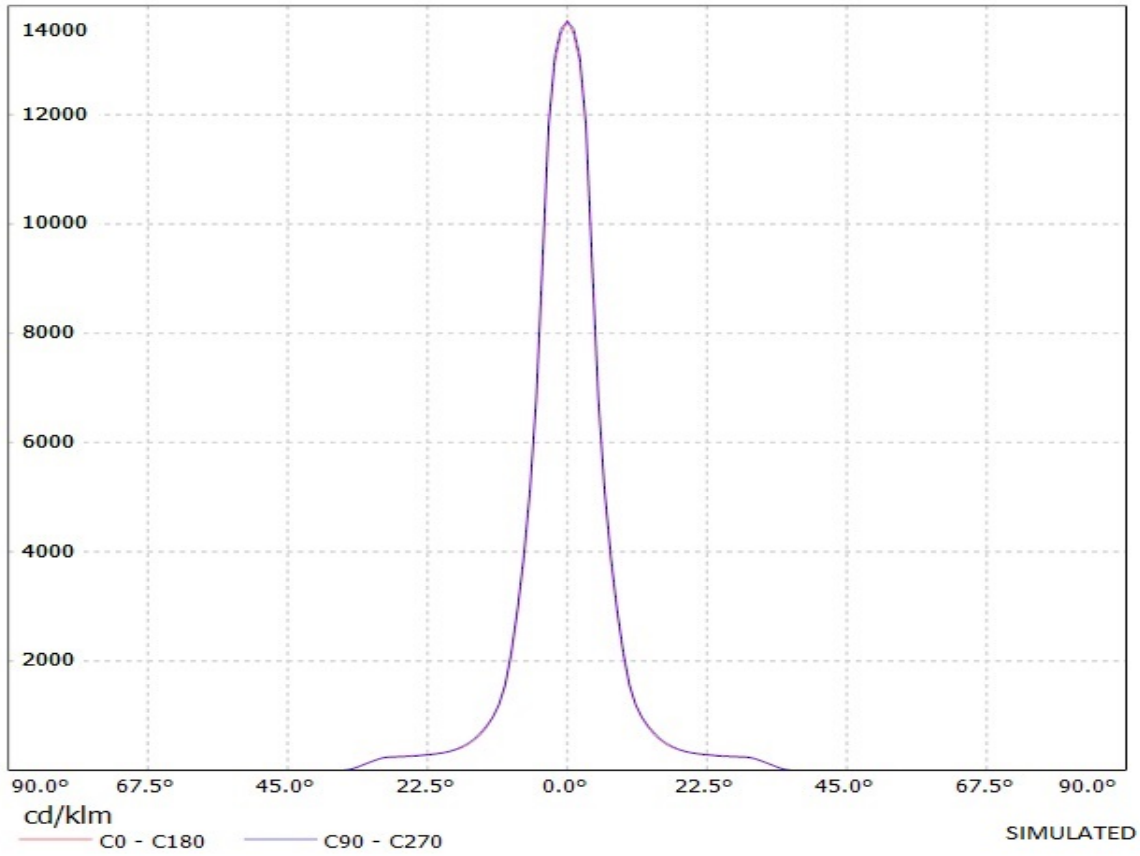
SCALE 1:1 WEIGHT 0,8 g SHEET 1/1

D

A

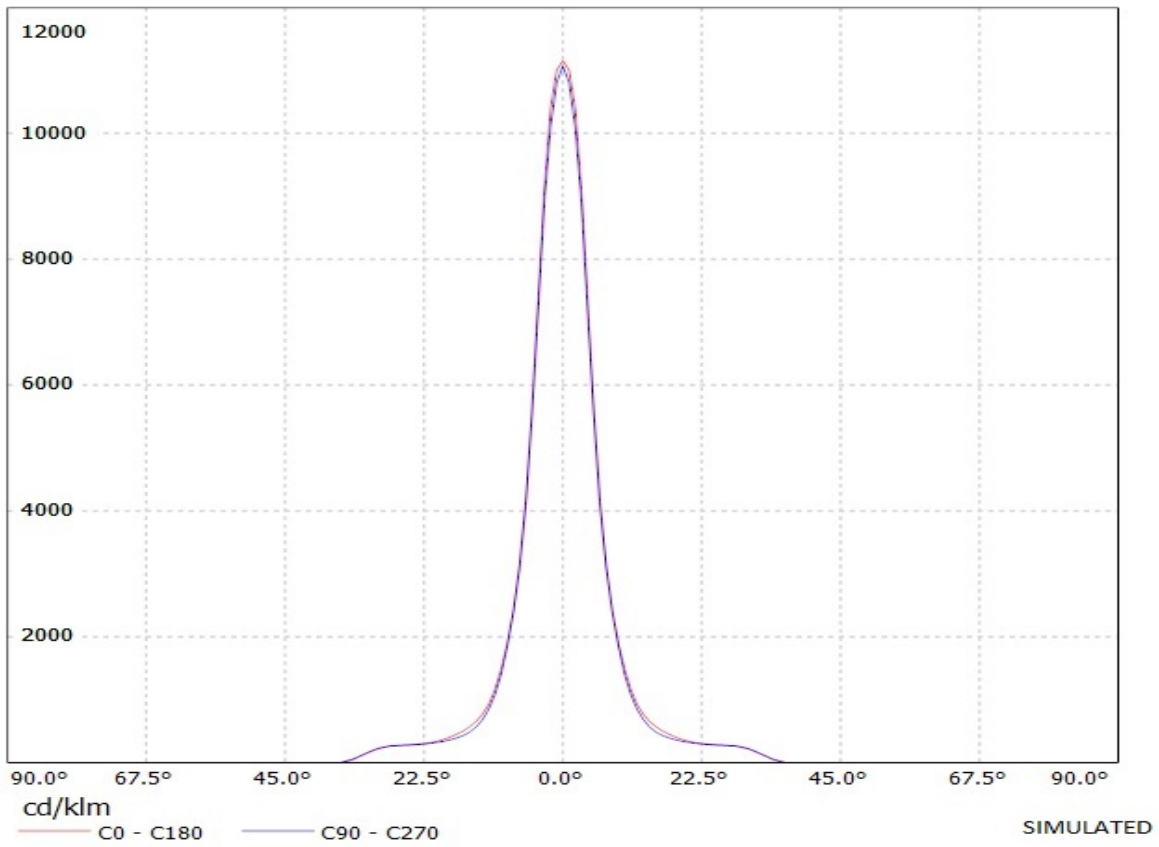
Ledil Oy C11347_Regina-XP-G C11347_Regina-XP-G / LDC (Linear)

Luminaire: Ledil Oy C11347_Regina-XP-G C11347_Regina-XP-G
Lamps: 1 x Cree XP-G (White)

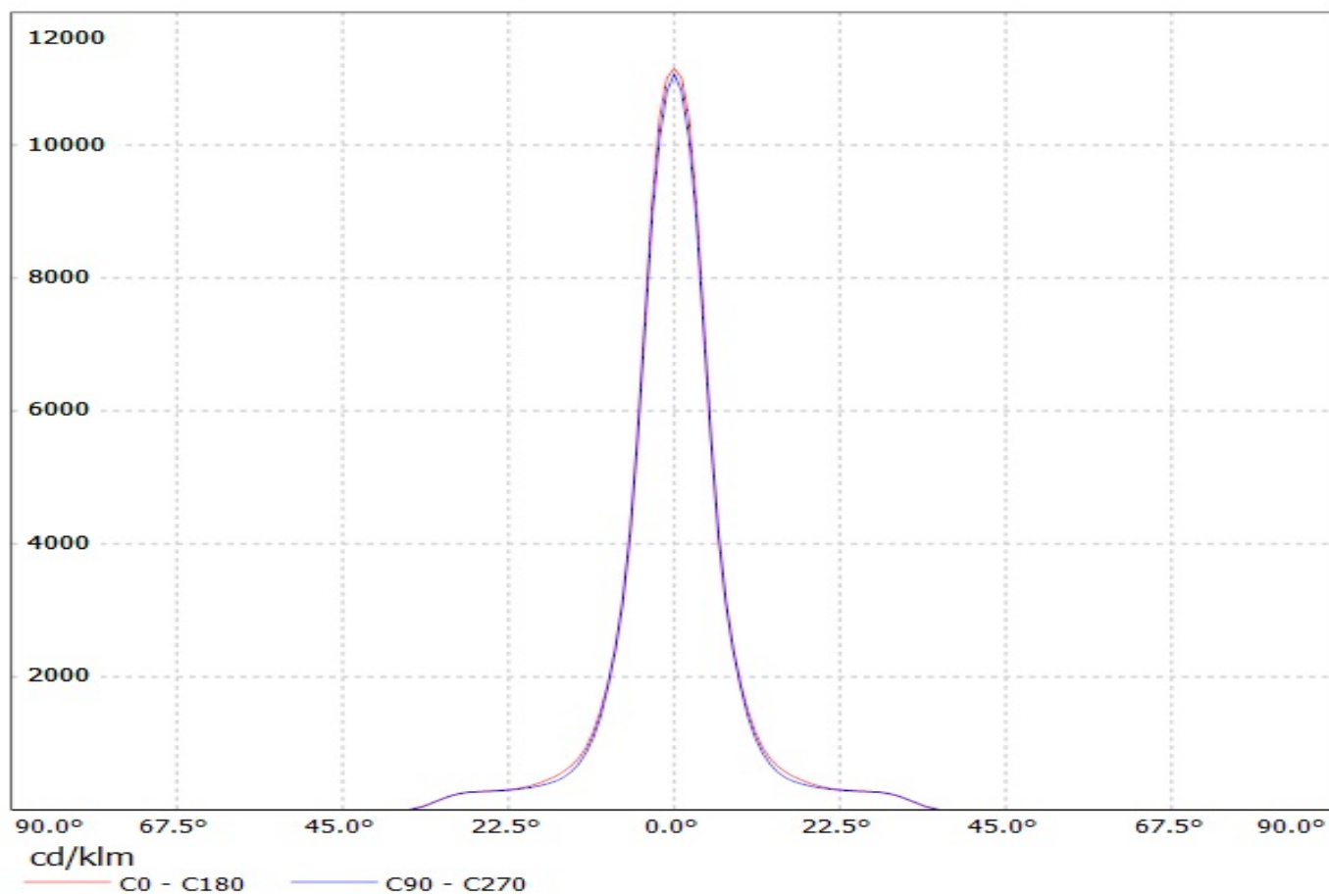


Ledil Oy C11347_Regina-RE-ES C11347_Regina-RE-ES / LDC (Linear)

Luminaire: Ledil Oy C11347_Regina-RE-ES C11347_Regina-RE-ES
Lamps: 1 x Luxeon Rebel ES

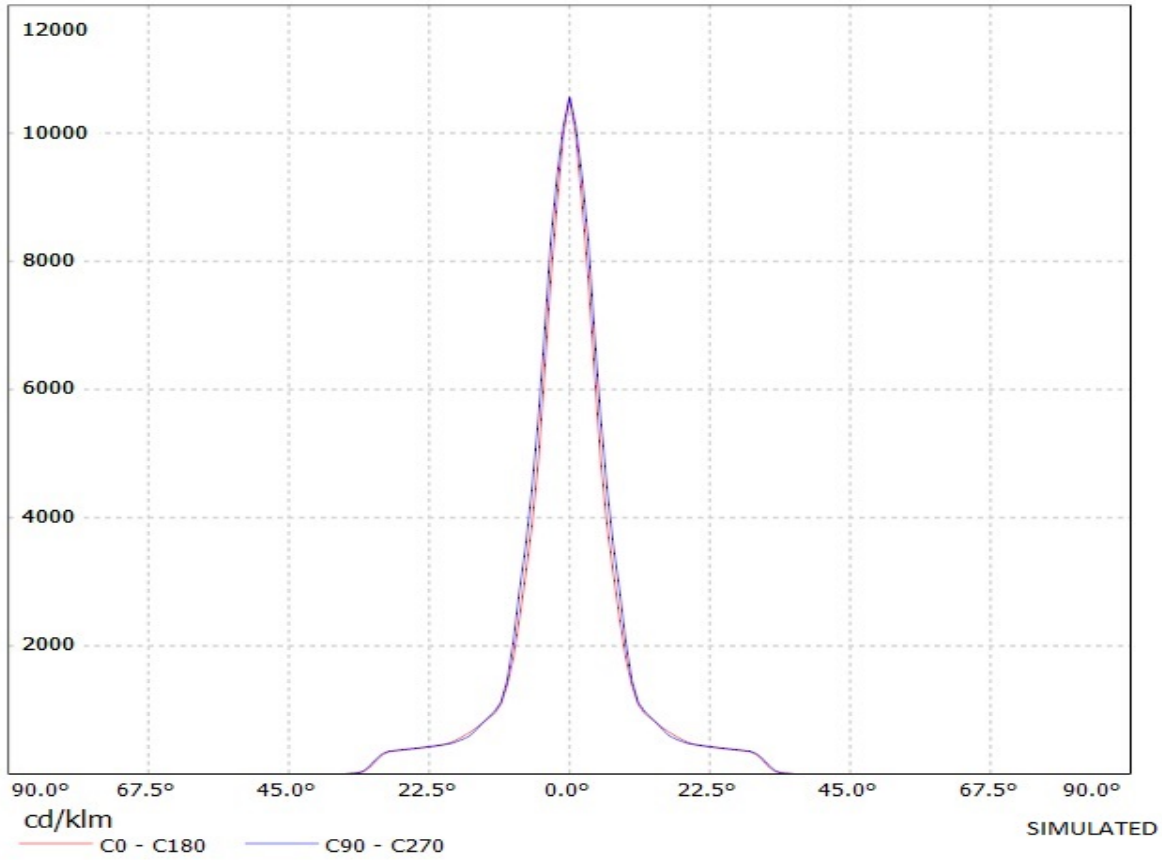


Luminaire: Ledil Oy C11347_Regina-RE-ES C11347_Regina-RE-ES
Lamps: 1 x Luxeon Rebel ES



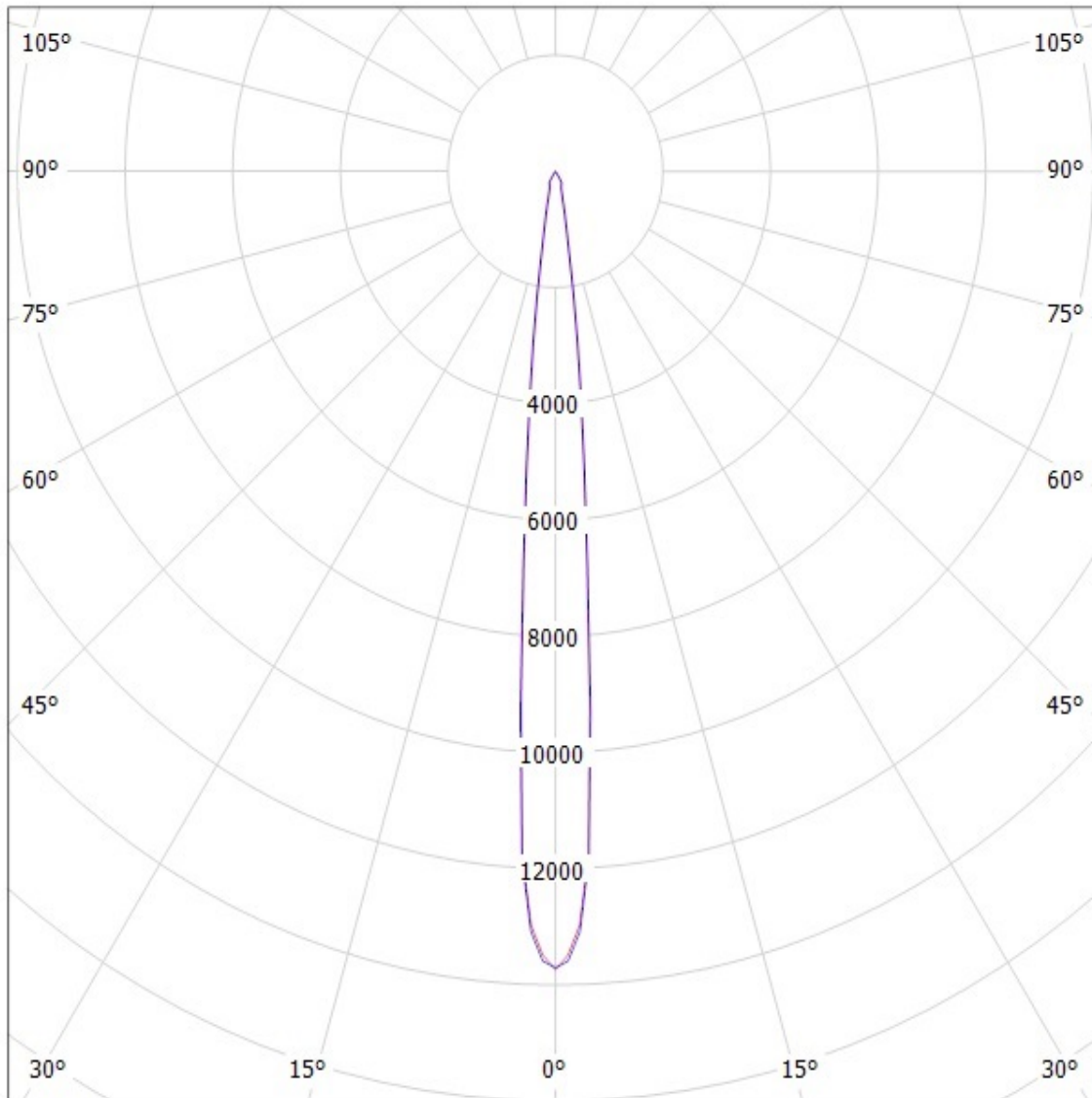
Ledil Oy C11347_Regina-OSL C11347_Regina-OSL / LDC (Linear)

Luminaire: Ledil Oy C11347_Regina-OSL C11347_Regina-OSL
Lamps: 1 x Osram Oslon SSL (White)



Ledil Oy C11347_Regina-XP-G C11347_Regina-XP-G / LDC (Polar)

Luminaire: Ledil Oy C11347_Regina-XP-G C11347_Regina-XP-G
Lamps: 1 x Cree XP-G (White)



cd/klm

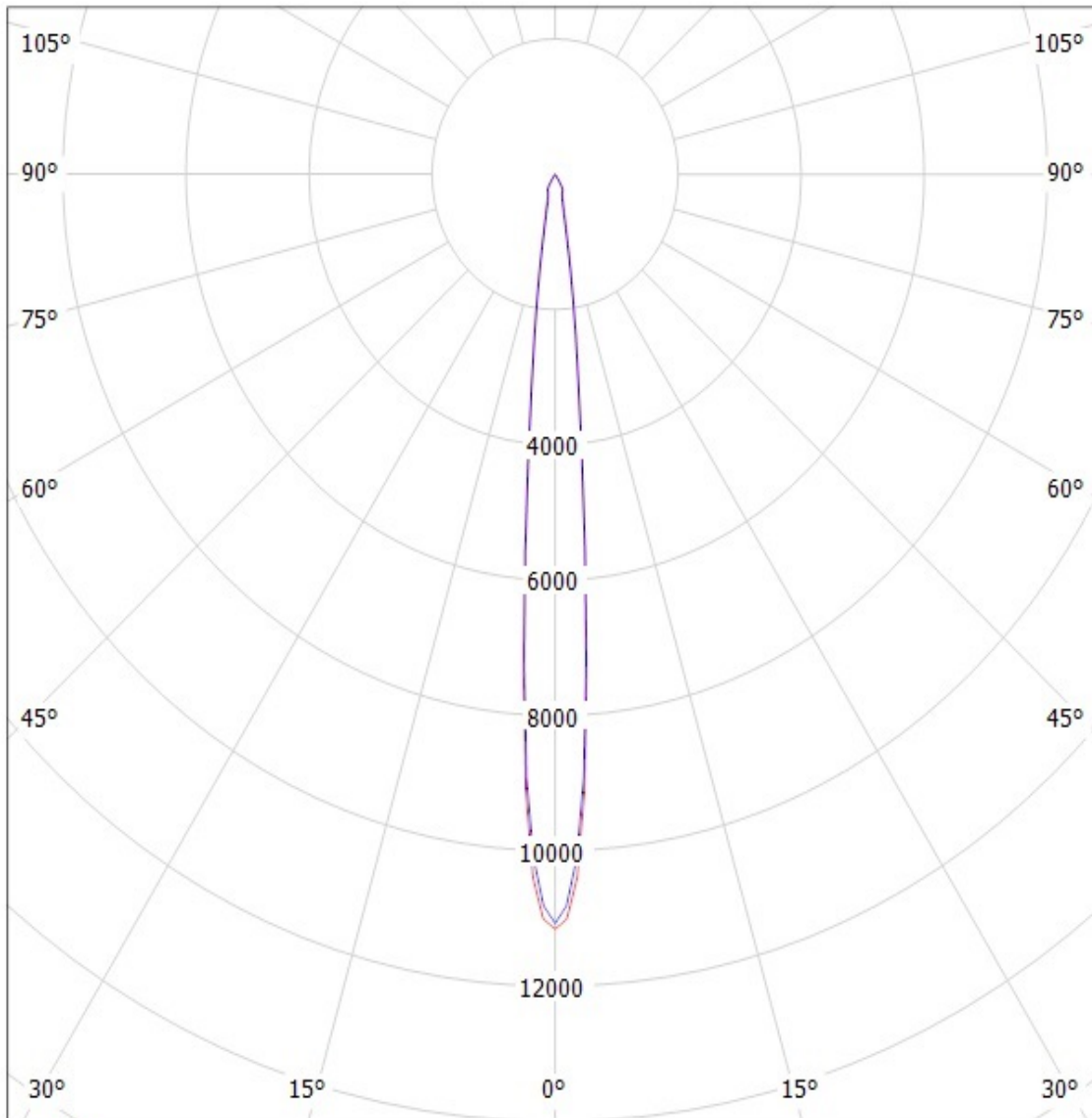
— C0 - C180 — C90 - C270

SIMULATED

Ledil Oy C11347_Regina-RE-ES C11347_Regina-RE-ES / LDC (Polar)

Luminaire: Ledil Oy C11347_Regina-RE-ES C11347_Regina-RE-ES

Lamps: 1 x Luxeon Rebel ES



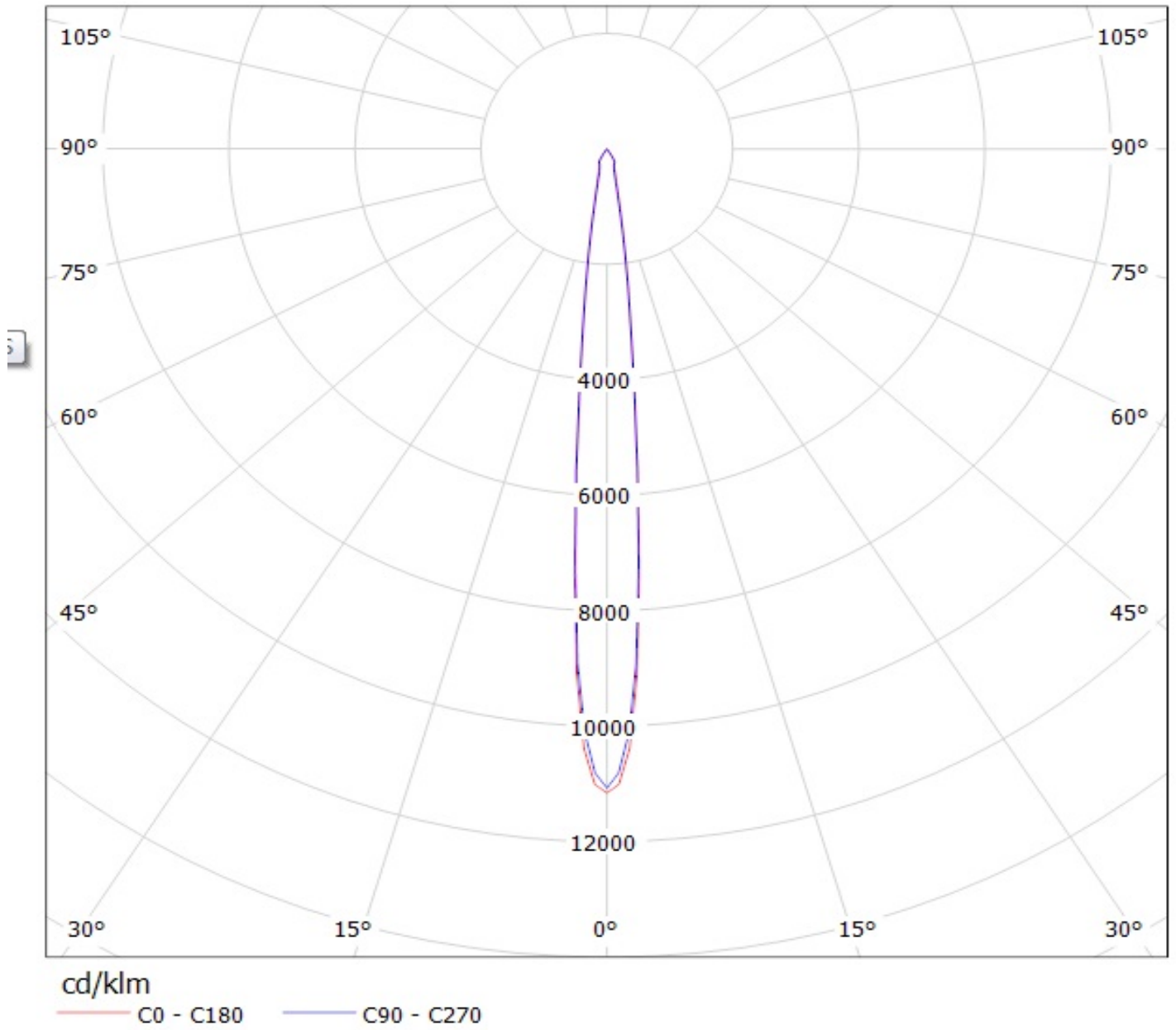
cd/klm

— C0 - C180

— C90 - C270

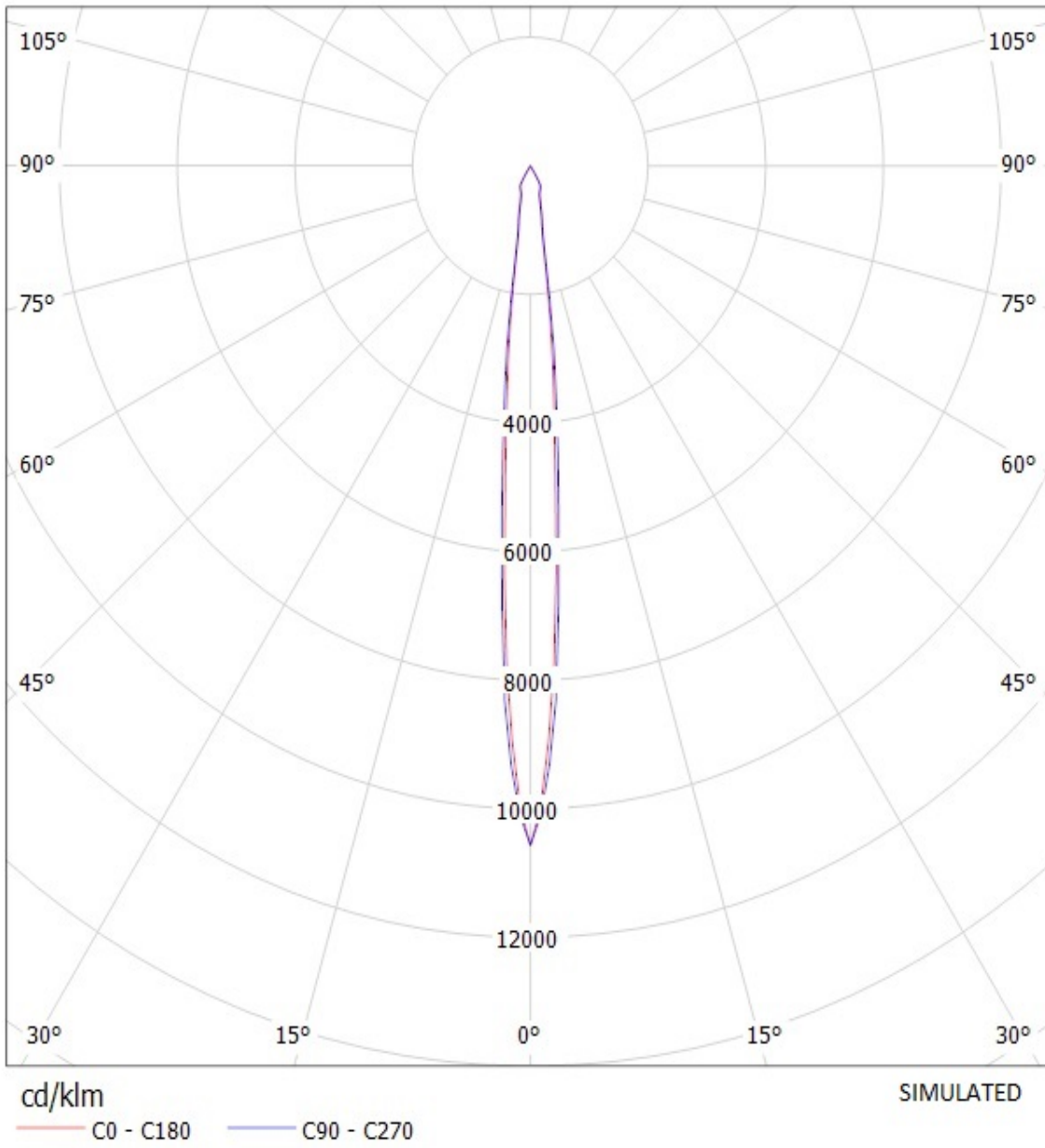
SIMULATED

Luminaire: Ledil Oy C11347_Regina-RE-ES C11347_Regina-RE-ES
Lamps: 1 x Luxeon Rebel ES



Ledil Oy C11347_Regina-OSL C11347_Regina-OSL / LDC (Polar)

Luminaire: Ledil Oy C11347_Regina-OSL C11347_Regina-OSL
Lamps: 1 x Osram Oslon SSL (White)



NOTE: The typical divergence will be changed by different color, chip size and chip position tolerance. The typical total divergence is the full angle measured where the luminous intensity is half of the peak value.