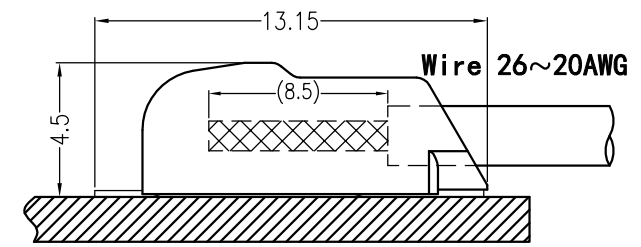
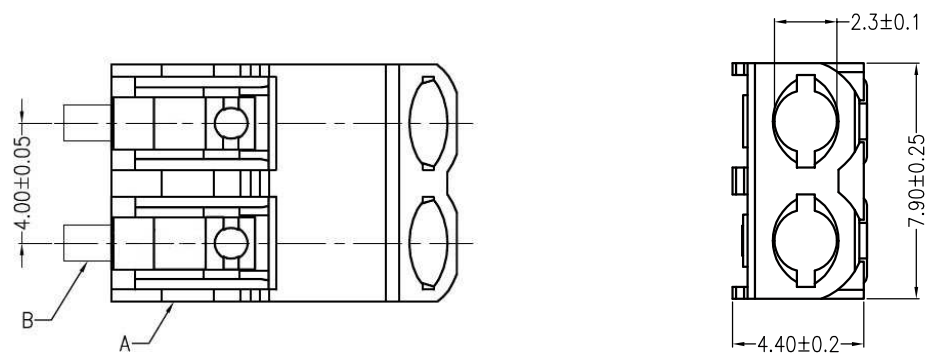


A B C D

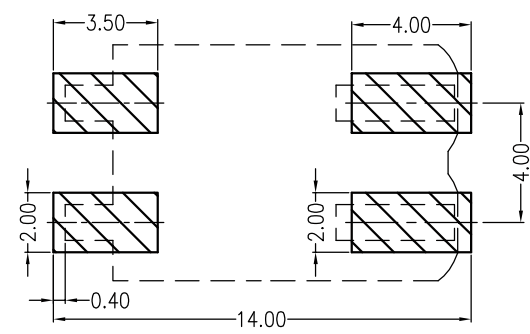
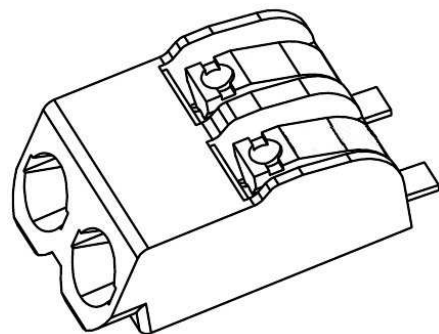
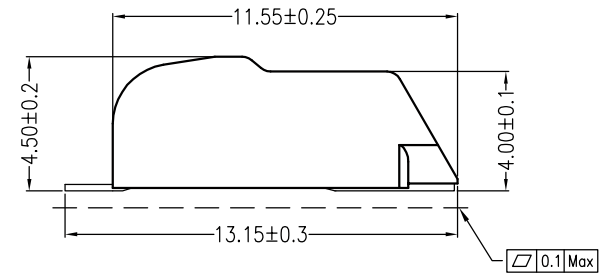
REV	ECN No.	DESCRIPTION	DESIGN	DATE
A0		Release	吴丹平	2016.05.04



Installation drawing

主要技术参数 Main Specifications

- 线数 (Poles): 01 to 03P
- 接触电阻 (Contact resistance): $\leq 20m\Omega$
- 绝缘电阻 (Insulation resistance): $\geq 800M\Omega$
- 额定电压 (Rated voltage): 250V AC DC
- 额定电流 (Rated current): 9.0A AC DC
- 耐电压 (Withstand Voltage): 800V AC/minute
- 温度范围 (Temperature Range): $-25^{\circ}C \sim +105^{\circ}C$



Board Layout

ITEM	COMPONENT	Q'TY	MATERIAL	FINISH
B	CONTACT	2 PCS	PhosphorBronze	MATTE Sn-plated
A	PEDESTAL	1 PCS	LCP	UL 94V-0, COLOR:BEIGE

LEDsconn			TITLE: 4.0mmPITCH 90°WAFER SMT TYPE	
X.±0.5	X.±5'	USE: CUSTOMER	PART NO.:	
.X±0.3	.X±2'	APPD: 邵敬和	DWG NO.:	
.XX±0.25	.XX±1'	CHKD: 田峰	SCALE	
⊕	△	UNITS: mm	DR: 吴丹平	SHEET 1 / 1

A B C D E F

1
2
3
4
5