

# LL01CR-BMxxL Data Sheet

*For CREE Multi-Color and Single-Color LEDs*



## Features:

- High efficiency
- Available in 2 beam Patterns
- Optimized for uniform effects
- Lens without Housing

## Typical applications :

- Stage Lighting
- Street Lights
- Decorative Light
- Architectural Lighting
- Down Light

## Table of Contents

General Information.....	2
General Specifications.....	2
Optical Specifications.....	3
Mechanical Specifications.....	4
Illumination charts.....	5
Package Specifications.....	6
Product Nomenclature.....	7

## General Information

- **Compatible Led Type :**

The LL01CR-BMxxL single lens are optimized for both Multi-Color R.G.B CREE LEDs and Single-Color Cree LEDs (Cree XR-E White) from Cree Opto.<sup>(1)</sup>

- **Beam Angle Type :**

An optimized profile integrate different front shape enable the generation of two different lens models: smallest beam (15deg); medium beam (40deg) <sup>(2)</sup>

- **The Way to Assembly :**

The Lens should be assembled to the PCB board or MCPCB upon LEDs which provides the most appropriate related position, so as to achieve the best uniform results

**\* Manually installation or if necessary thermal glue are recommended.**

- **Function :**

LL01CR-BMxxL provides exceptional color mixing result with the highest efficiency through careful engineering and precision manufacturing process.

## General Specifications

- Lens Material                                      Optical Grade PMMA    PC
- Operating Temperature range                -40°C ~ + 70°C (upper limit +80°C)
- Storage Temperature range                 -40°C ~ + 70°C (upper limit +80°C)

\*Average transmittance in visible spectrum 400nm~700nm > 90%

Notes:

(1) Cree XR-E is a trademark of Cree, Inc., for technical information on LEDs, please refer to Cree, Inc., [www.cree.com/xlamp](http://www.cree.com/xlamp).

(2) Typical beam divergence will be affected by different color of LEDs.

## Optical Specifications [ Typical beam Angle and intensity (cd/lm) of LL01 lens ]

- CREE XR-E LED

Typical Cone Angle (degree) <sup>(3)</sup> with CREE XR-E			
Part Number	Red LEDs	Green LEDs	Blue LEDs
LL01CR-BM15L	22	18	19
LL01CR-BM40L	42	44	45

The typical cone angle measures where the luminous intensity is 90% of the peak value of intensity. This typical cone varies with LED color due to different chip size and chip position tolerance.

Typical on axis intensity (cd/lm) <sup>(4)</sup> with CREE XR-E			
Part Number	Red LEDs	Green LEDs	Blue LEDs
LL01CR-BM15L	320	330	72
LL01CR-BM40L	100	110	15

Luminous intensity depends on the flux binning and tolerance of the LEDs. Please refer to the LEDs data sheet for more details on Flux binning and mechanical tolerance.

- CREE XR-E LED

Typical Cone Angle (degree) <sup>(3)</sup> with CREE XR-E			
Part Number	White LEDs	Warm white LEDs	
LL01CR-BM15L	18	17	
LL01CR-BM40L	42	41	

The typical cone angle the full angle measured where the luminous intensity is 90% of the peak value of intensity. That typical cone varies with LED color due to different chip size and chip position tolerance.

Typical on axis intensity (cd/lm) <sup>(4)</sup> with CREE XR-E			
Part Number	White LEDs	Warm white LEDs	
LL01CR-BM15L	1610	1068	
LL01CR-BM40L	360	166	

Luminous intensity depends on the flux binning and tolerance of the LEDs. Please refer to the LEDs data sheet for more detail on Flux binning and mechanical tolerance

Notes:

(3) The typical divergence will be changed by different color, chip size and chip position tolerance. The typical total divergence is the full angle measured where the luminous intensity is half of the peak value.

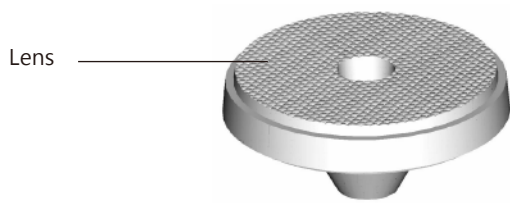
(4) The efficiency value listed above is the total value of the whole lens model, the value depends on the total flux of the LED used. Luminous intensity depends on the LEDs flux and its tolerances, for more details of LED flux, please check Cree data sheet at [www.cree.com](http://www.cree.com).

## Mechanical Specifications

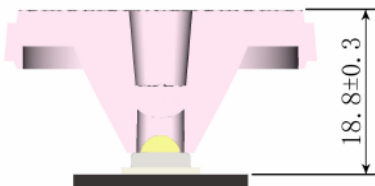
### • Usage and Maintenance :

1. If necessary, clean lenses with mild soap, water and soft cloth
2. Never use any commercial cleaning solvents on lenses, like alcohol
3. Please handle or install lenses with wearing gloves, skin oils may damage lens or its optical characteristic.

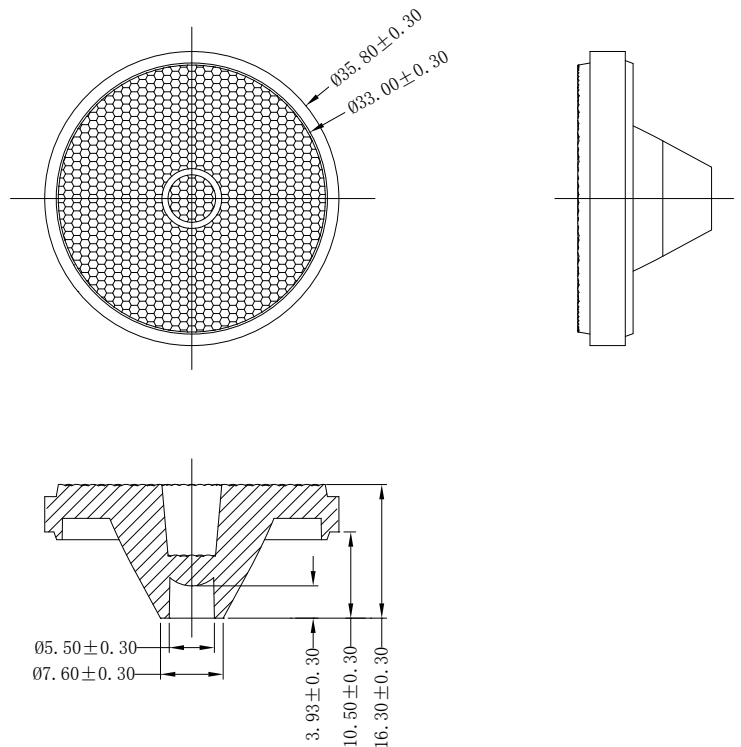
### 1. Lens + Leds+MCPCB assembly instruction



### 2. View assembly lens with MCPCB:





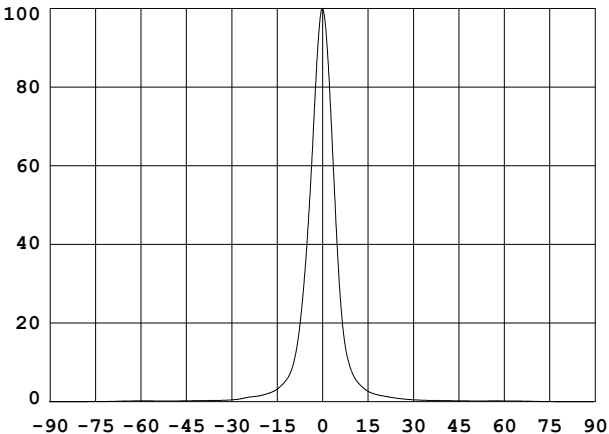
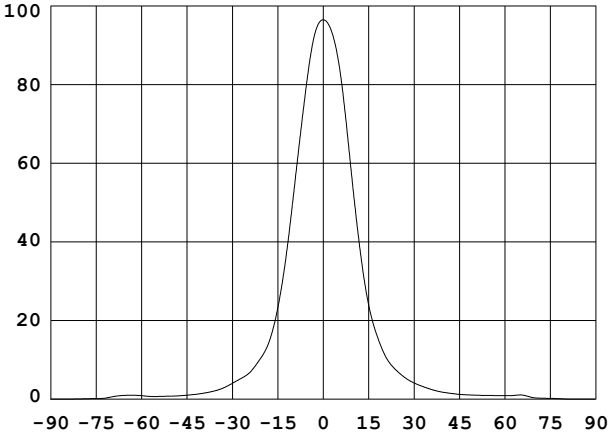
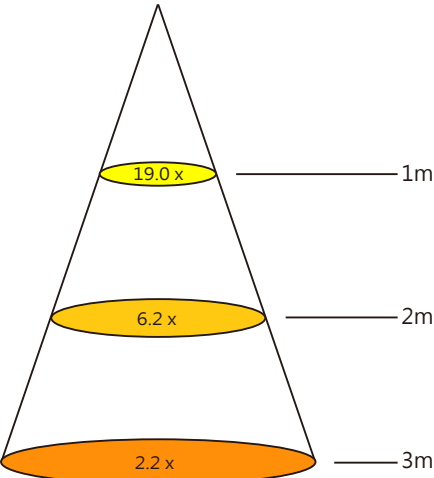
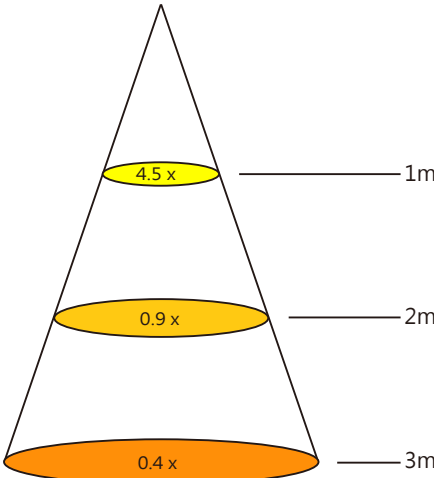
### 3. Lens dimensions and Top Views:



- Notes:
- (1) All dimensions are in mm.
  - (2) Drawing not to scale.
  - (3) Collimator material is PMMA.

## Illumination charts

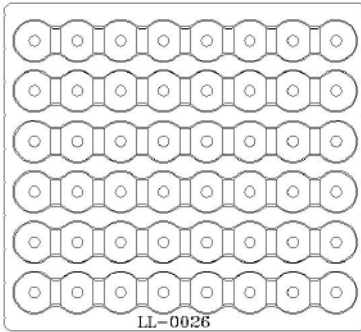
\*CREE single white LED: CREE XR-E

LL01CR-BM15L	LL01CR-BM40L
1. Beam Pattern	1. Beam Pattern
	
2. Light Distribution Curve	2. Light Distribution Curve
	
3. Illuminance	3. Illuminance
	

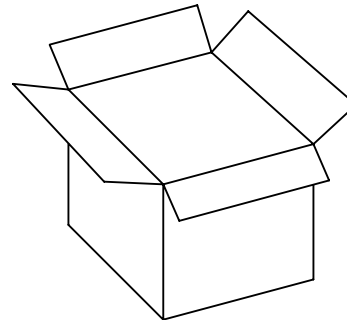
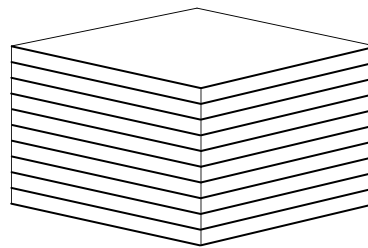
Notes: The Flux of CREE XR-E LED is 85 lm

## Package

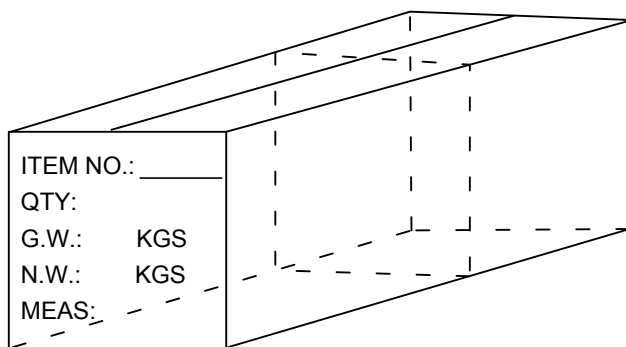
Item	Quantity	Total	Size (long*width* high)
Inner box	48	48pcs	34*30*3.5 cm
Outer box	10tray/box	480pcs	35*31*21 cm
Outer box	2 inner box/outer box	960pcs	64.7*36.5*24 cm



48pcs/tray



480pcs/inner box



960pcs/outer box

## Product Nomenclature

