

**Product number C10926\_STRADA-B**

Family	Strada-B	FWHM	116+44 degrees
Type	Lens	Efficiency	93 %
LED	XP-E	cd/lm	0.560
Color	Clear	Gerber File	Available
Diameter	19.6 + 15.5 mm		
Height	5.2 mm		
Style	Rectang		
Optic Material	PMMA		
Holder Material	-		
Fastening	["glue", "screw"]		
Status	Production ready		

**Product number CA10927\_STRADA-B**

Family	Strada-B	FWHM	116+44 degrees
Type	Assembly	Efficiency	93 %
LED	XP-E	cd/lm	0.560
Color	Clear	Gerber File	Available
Diameter	19.6 + 15.5 mm		
Height	5.2 mm		
Style	Rectang		
Optic Material	PMMA		
Holder Material	-		
Fastening	["tape", "screw"]		
Status	Production ready		

**NOTE: The typical divergence will be changed by different color, chip size and chip position tolerance. The typical total divergence is the full angle measured where the luminous intensity is half of the peak value.**



## PRODUCT DATASHEET

### Strada-B series

last update 10/6/2014

#### GENERAL INFORMATION

- Product series especially designed & optimized for XP-E series of LEDs.
- Special care taken to make light distribution as uniform as possible.
- Lens material optical grade PMMA with high UV and temperature resistance. Allows use of high current and temperature conditions.

Please find more information about used material from below:

[http://ledil.fi/sites/default/files/Documents/Technical/Material/PMMA%20N%20UL94\\_Yellow%20Card.pdf](http://ledil.fi/sites/default/files/Documents/Technical/Material/PMMA%20N%20UL94_Yellow%20Card.pdf)

<http://ledil.fi/sites/default/files/Documents/Technical/Material/PMMA%20N%20PLEXIGLAS-Datasheet.pdf>

D

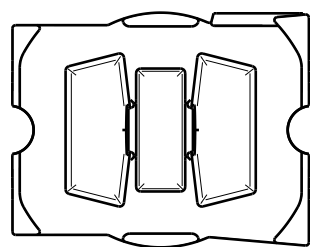
C

B

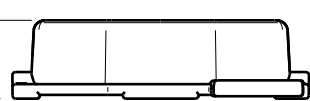
A

4

4

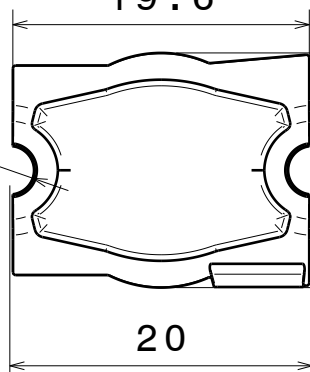


5.2



19.6

Ø 3.2



Top view

15.5

20

fastening

MATERIALS  
Lens: PMMA

This drawing is our property.  
It can't be reproduced  
or communicated without  
our written agreement.



L  
T  
F  
F  
e  
i  
n  
e  
i  
n  
h  
d

DRAWING TITLE

Datasheet Strada-B-XP lens

DRAWN BY  
p

DATE  
03.06.2009

CHECKED BY  
t k

DATE  
21.04.2009

SIZE  
A4

DRAWING NUMBER  
C10926

REV  
1

DESIGNED BY  
hh

DATE  
20.04.2009

SCALE 2:1

WEIGHT (g)

SHEET

1 / 1

D

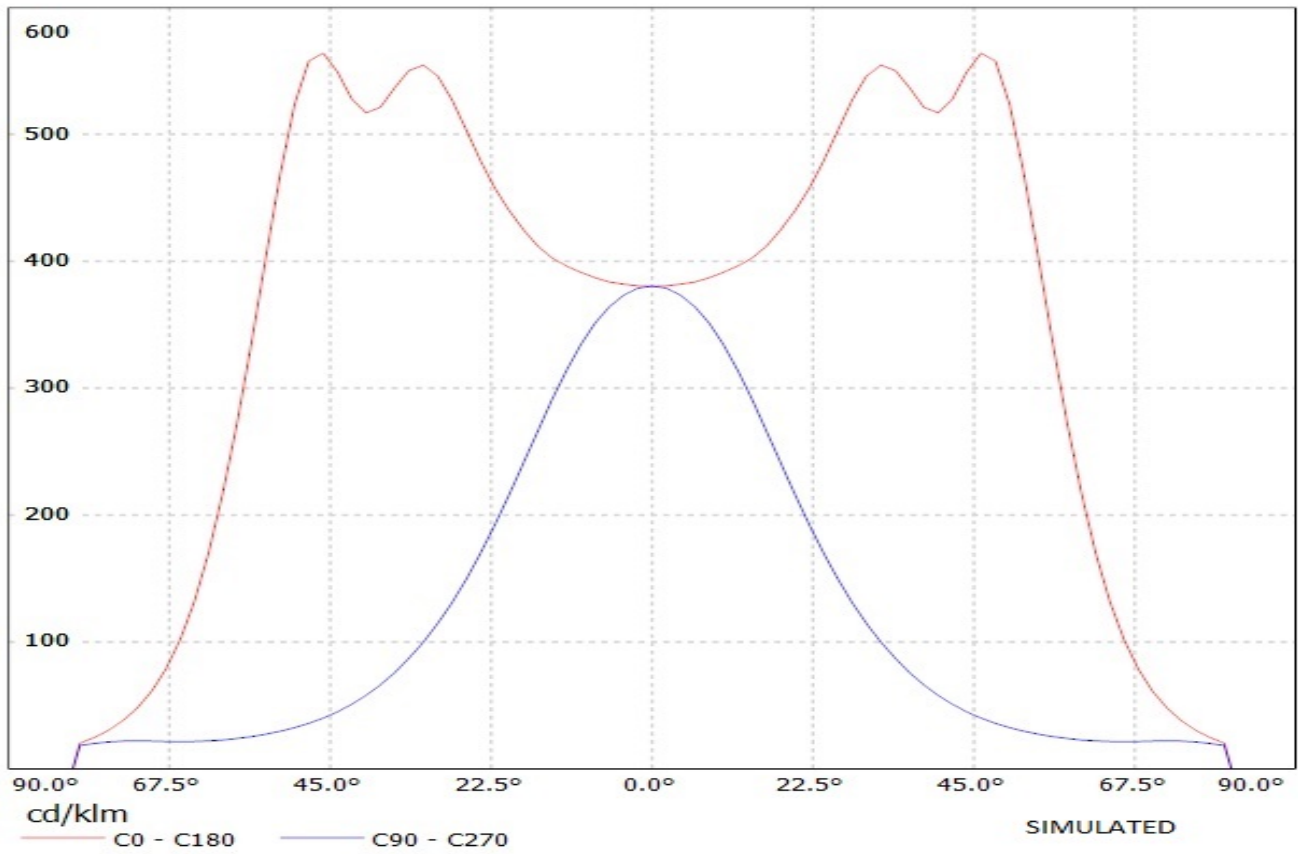
A

1

1

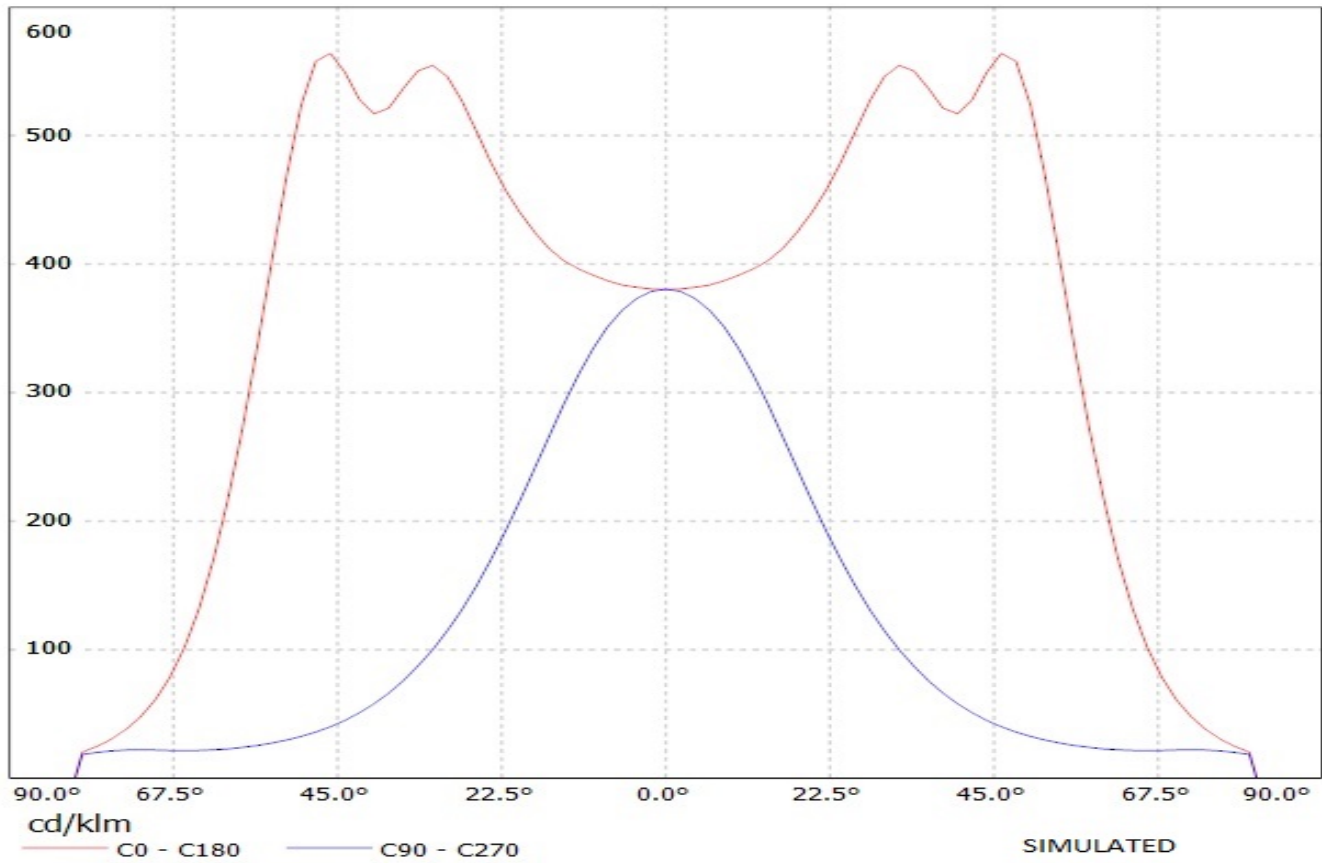
# Ledil Oy C10926\_Strada-B-XP C10926\_Strada-B-XP / LDC (Linear)

Luminaire: Ledil Oy C10926\_Strada-B-XP C10926\_Strada-B-XP  
Lamps: 1 x Cree XP-E (white)



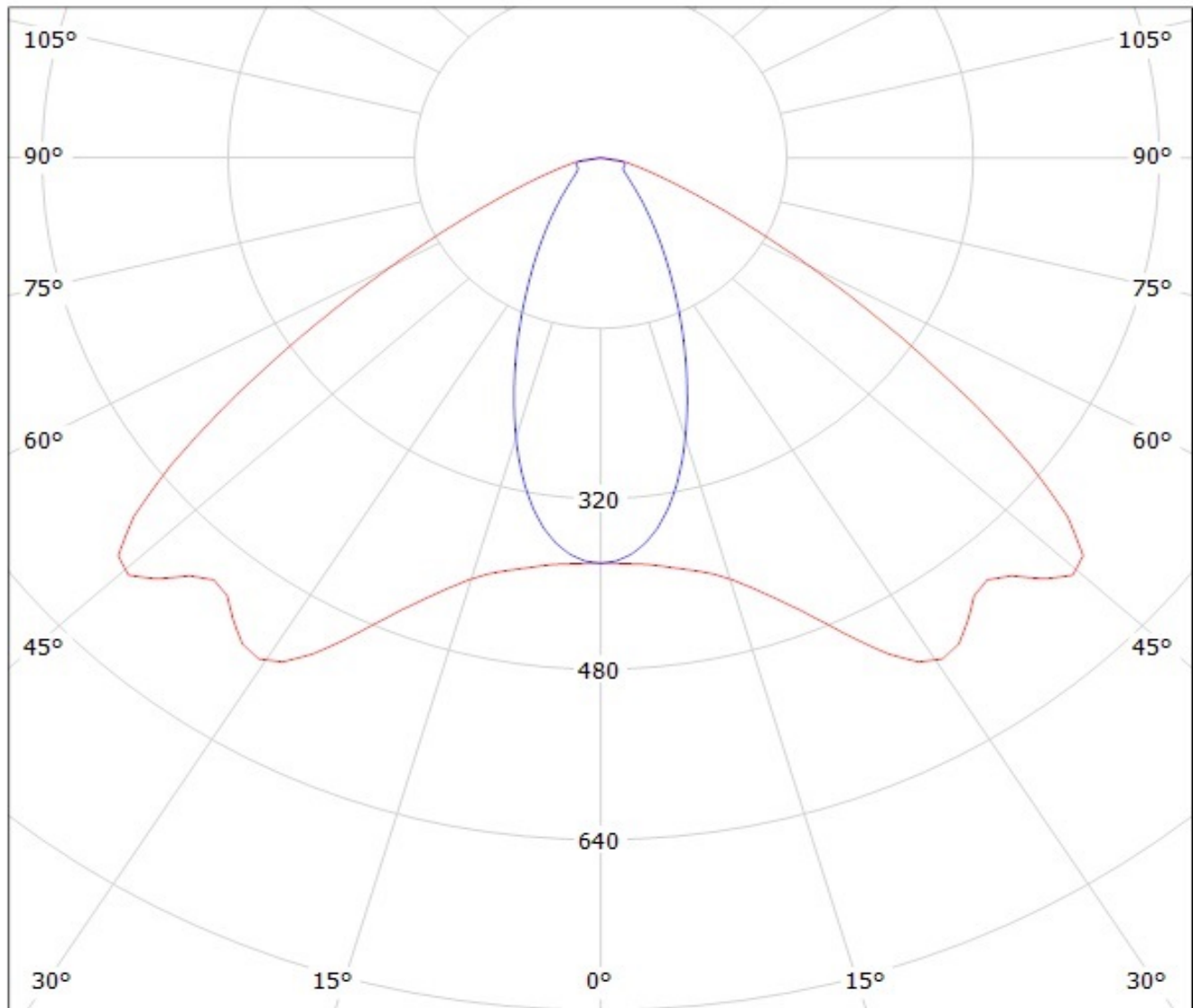
# Ledil Oy C10926\_Strada-B-XP C10926\_Strada-B-XP / LDC (Linear)

Luminaire: Ledil Oy C10926\_Strada-B-XP C10926\_Strada-B-XP  
Lamps: 1 x Cree XP-E (white)



# Ledil Oy C10926\_Strada-B-XP C10926\_Strada-B-XP / LDC (Polar)

Luminaire: Ledil Oy C10926\_Strada-B-XP C10926\_Strada-B-XP  
Lamps: 1 x Cree XP-E (white)



cd/klm

— C0 - C180

— C90 - C270

SIMULATED

# Ledil Oy C10926\_Strada-B-XP C10926\_Strada-B-XP / LDC (Polar)

Luminaire: Ledil Oy C10926\_Strada-B-XP C10926\_Strada-B-XP

Lamps: 1 x Cree XP-E (white)

