


Product number C11918_STRADA-T-6X1-DNW

Family	Strada-Module	FWHM	Asymmetric degrees
Type	Lens array	Efficiency	93 %
LED	XP-E	cd/lm	0.410
Color	Clear	Gerber File	Available
Diameter	119.8 x 25.2 mm		
Height	5.6 mm		
Style	Rectang		
Optic Material	PMMA		
Holder Material	-		
Fastening	["pin", "screw", "glue"]		
Status	Production ready		


Product number C12449_STRADA-T-6X1-DWC

Family	Strada-Module	FWHM	Asymmetric degrees
Type	Lens array	Efficiency	93 %
LED	XP-E	cd/lm	0.300
Color	Clear	Gerber File	Available
Diameter	119.8 x 25.2 mm		
Height	5.5 mm		
Style	Rectang		
Optic Material	PMMA		
Holder Material	-		
Fastening	["glue", "screw", "pin"]		
Status	Production ready		


Product number C13858_STRADA-2X2-XW

Family	Strada-Module	FWHM	Asymmetric degrees
Type	Lens	Efficiency	94 %
LED	XP-E	cd/lm	1.110
Color	Clear	Gerber File	Available
Diameter	50x50 mm		
Height	7.1 mm		
Style	Rectang		
Optic Material	PMMA		
Holder Material	-		
Fastening	["glue", "pin", "screw"]		
Status	Production ready		

Extra wide beam for wide area security lighting.


Product number C14116_STRADA-2X2-PX

Family	Strada-Module	FWHM	Asymmetric degrees
Type	Lens	Efficiency	94 %
LED	XP-E	cd/lm	1.200
Color	Clear	Gerber File	Available
Diameter	50x50 mm		
Height	8 mm		
Style	Square		
Optic Material	PMMA		
Holder Material	-		
Fastening	["screw", "pin"]		
Status	Production ready		

Double assymmetric beam designed for pedestrian crossings.



PRODUCT DATASHEET Strada-Module series

last update 21/4/2016

NOTE: The typical divergence will be changed by different color, chip size and chip position tolerance. The typical total divergence is the full angle measured where the luminous intensity is half of the peak value.



PRODUCT DATASHEET Strada-Module series

last update 21/4/2016

GENERAL INFORMATION

- Product series especially designed & optimized for XP-E series of LEDs.
- Special care taken to make light distribution as uniform as possible.
- Lens material optical grade PMMA with high UV and temperature resistance. Allows use of high current and temperature conditions.

Please find more information about used material from below:

http://ledil.fi/sites/default/files/Documents/Technical/Material/PMMA%20N%20UL94_Yellow%20Card.pdf

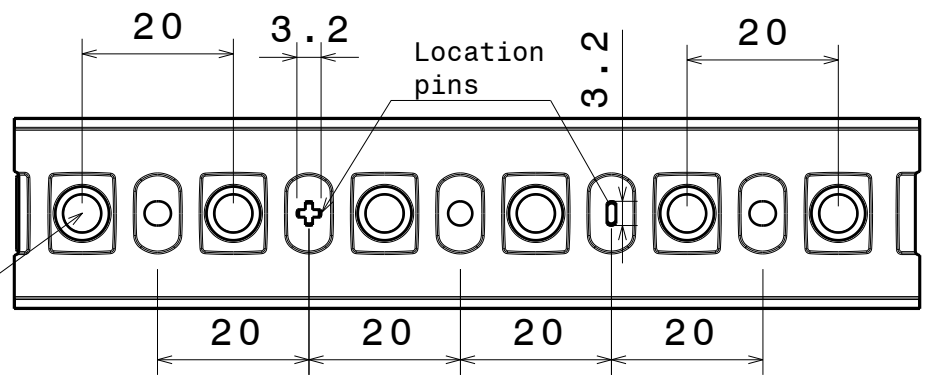
<http://ledil.fi/sites/default/files/Documents/Technical/Material/PMMA%20N%20PLEXIGLAS-Datasheet.pdf>

D C B A

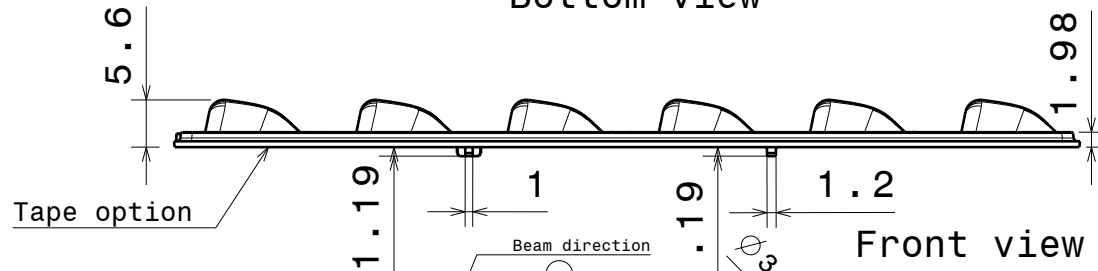
4

4

LED in the center of the optic



Bottom view

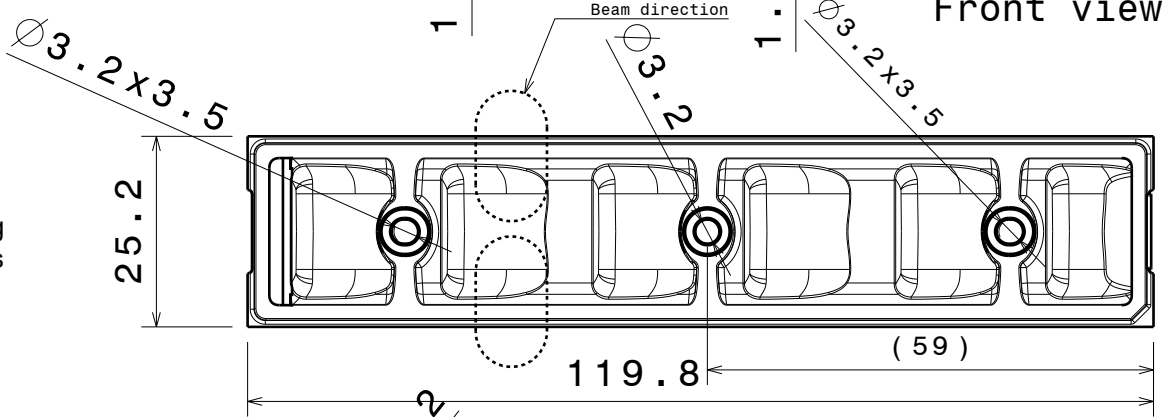


Front view

3

3

Note, Ledil Oy won't provide tape or sealing plates for this product.



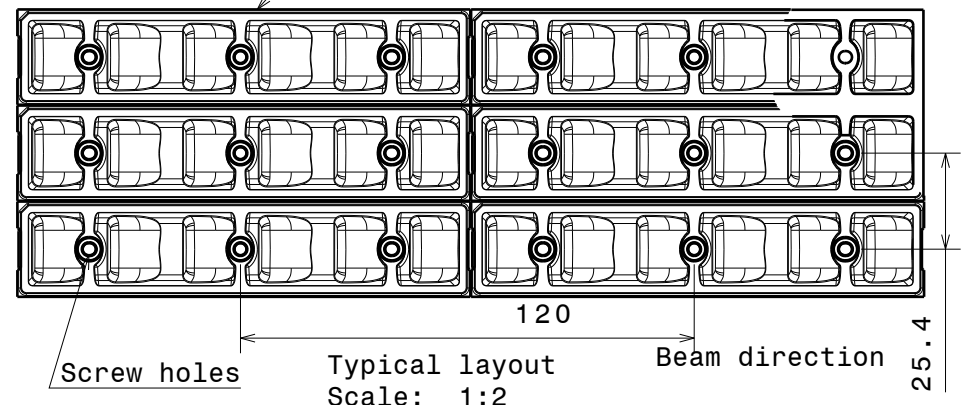
Layout fully compatible with individual Strada-series lenses

2

2

Materials:
Lens PMMA

Tolerances for dimensions:
0-20mm tolerance value +0.1mm
21-45mm tolerance value +0.2mm
46-90mm tolerance value +0.3mm
91-100mm tolerance value +0.4mm
101-mm tolerance value +0.5mm



Typical layout
Scale: 1:2

This drawing is our property. It can't be reproduced or communicated without our written agreement.



Ledil Oy
Salorankatu 10
FIN-24100 SALO
Finland

DRAWING TITLE

Datasheet Strada-T-6x1-DNW Lens

1

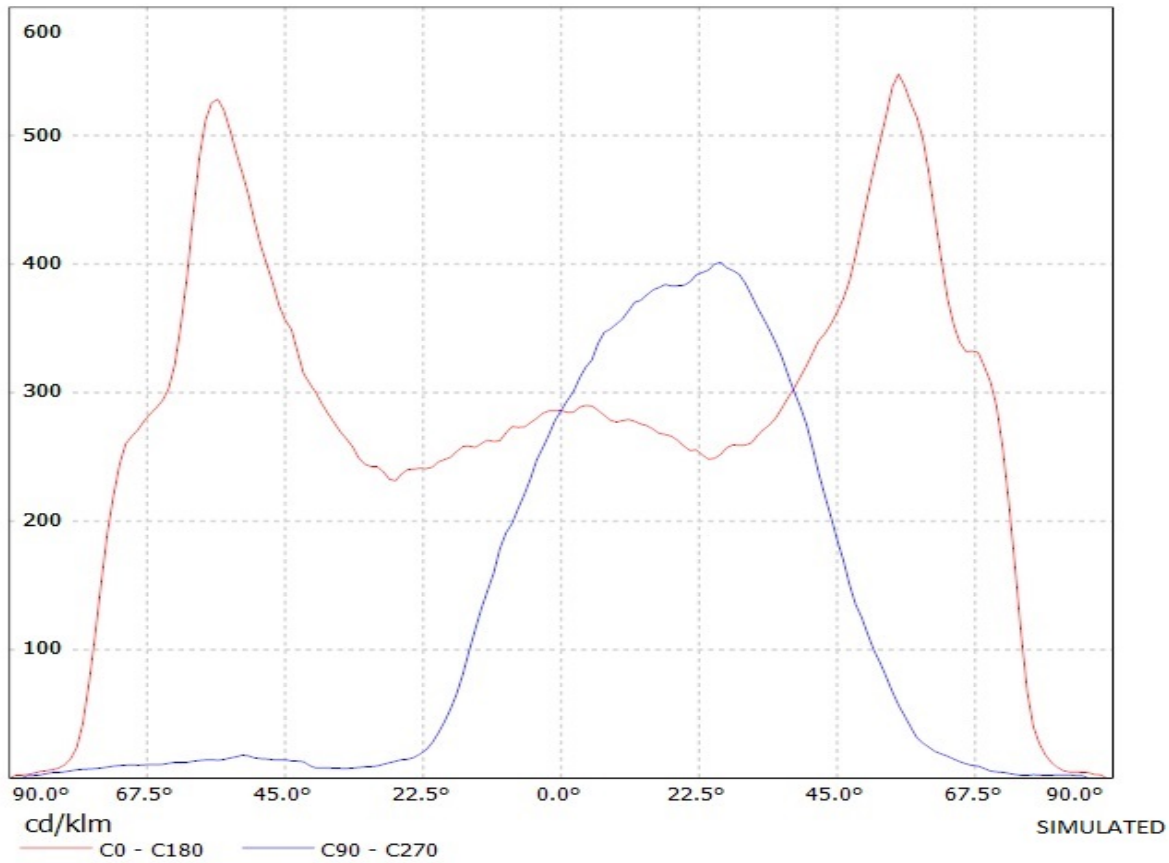
1

DRAWN BY pv	DATE 1.11.2012	DRAWING NUMBER C11918			REV 6
CHECKED BY jl	DATE 1.11.2012	SIZE A4	WEIGHT (g)		SHEET 1/1
DESIGNED BY hh	DATE 02.12.2010	SCALE 2:1			

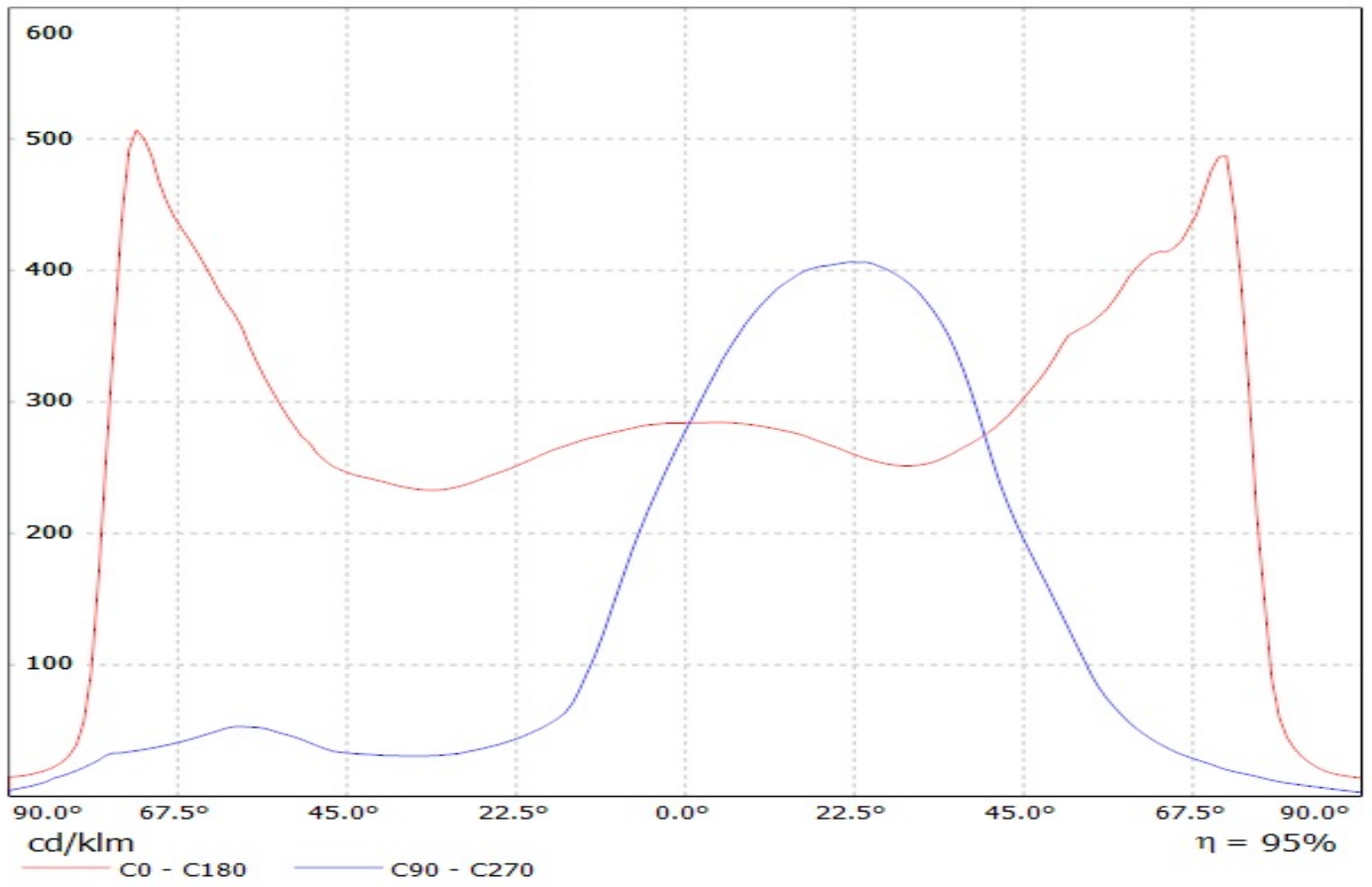
D A

Ledil Oy C11918_Strada-T-6x1-DNW-XP C11918_Strada-T-6x1-DNW-XP / LDC (Linear)

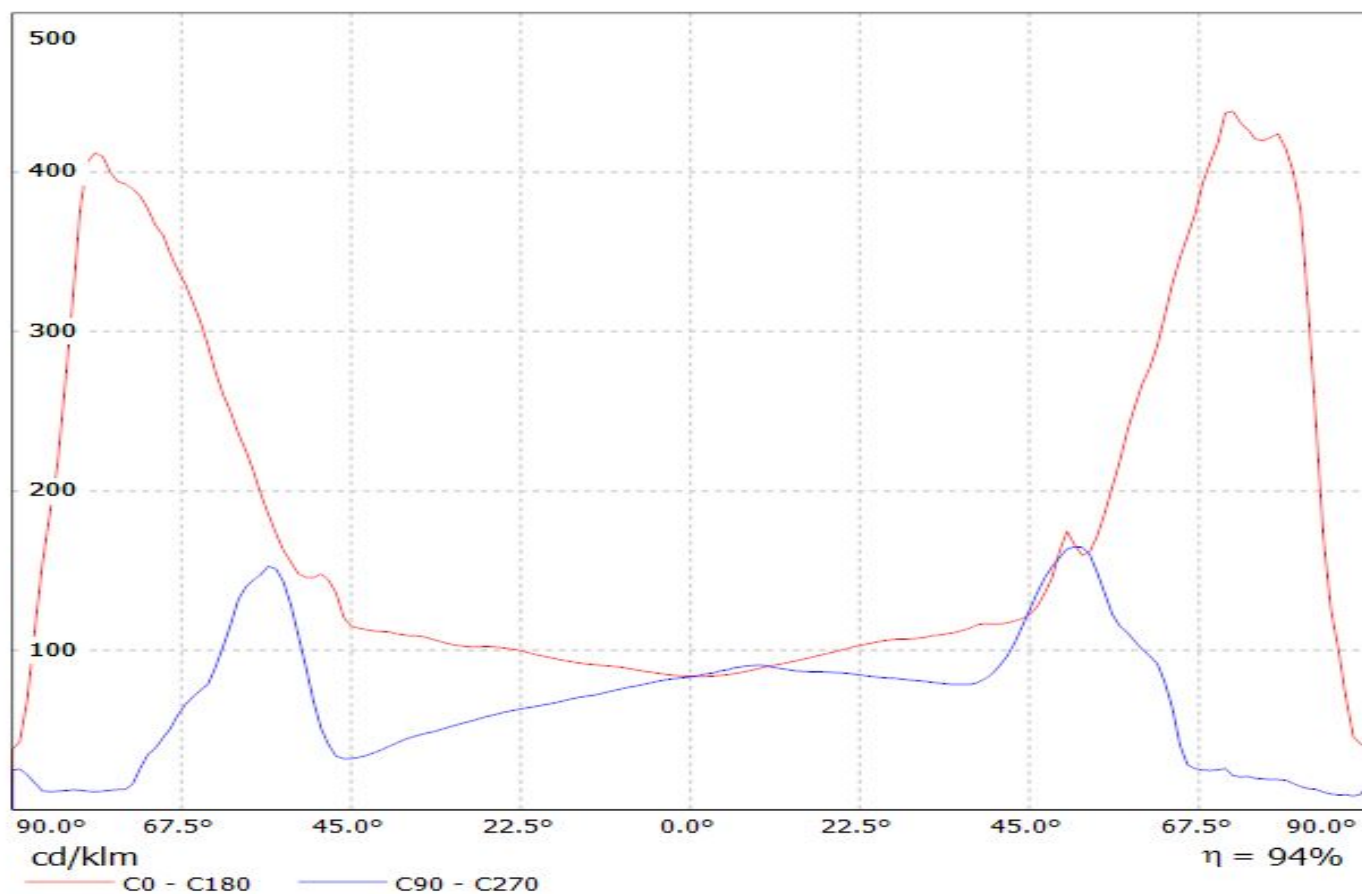
Luminaire: Ledil Oy C11918_Strada-T-6x1-DNW-XP C11918_Strada-T-6x1-DNW-XP
Lamps: 1 x LED Module



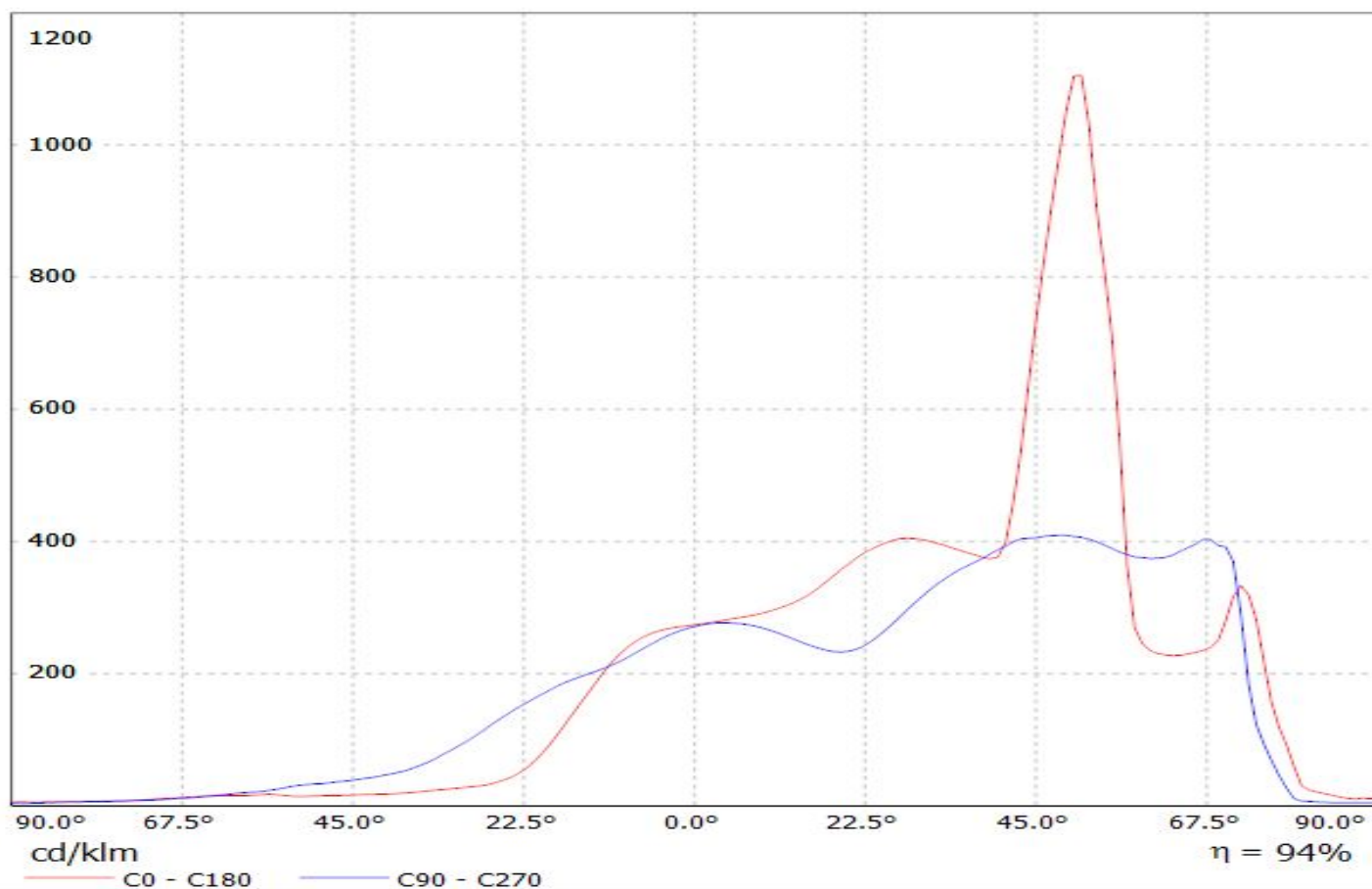
Luminaire: LEDIL OY C12449_STRADA-T-6X1-DWC C12449_STRADA-T-6X1-DWC
Lamps: 1 x Cree XP-E_6x1 (391lm) - 4.50 W



Luminaire: Ledil C13858_STRADA_2x2_XW_(XP-E)
Lamps: 1 x XP-E_337.15lm@250mA_P=8W_l=0.2499A

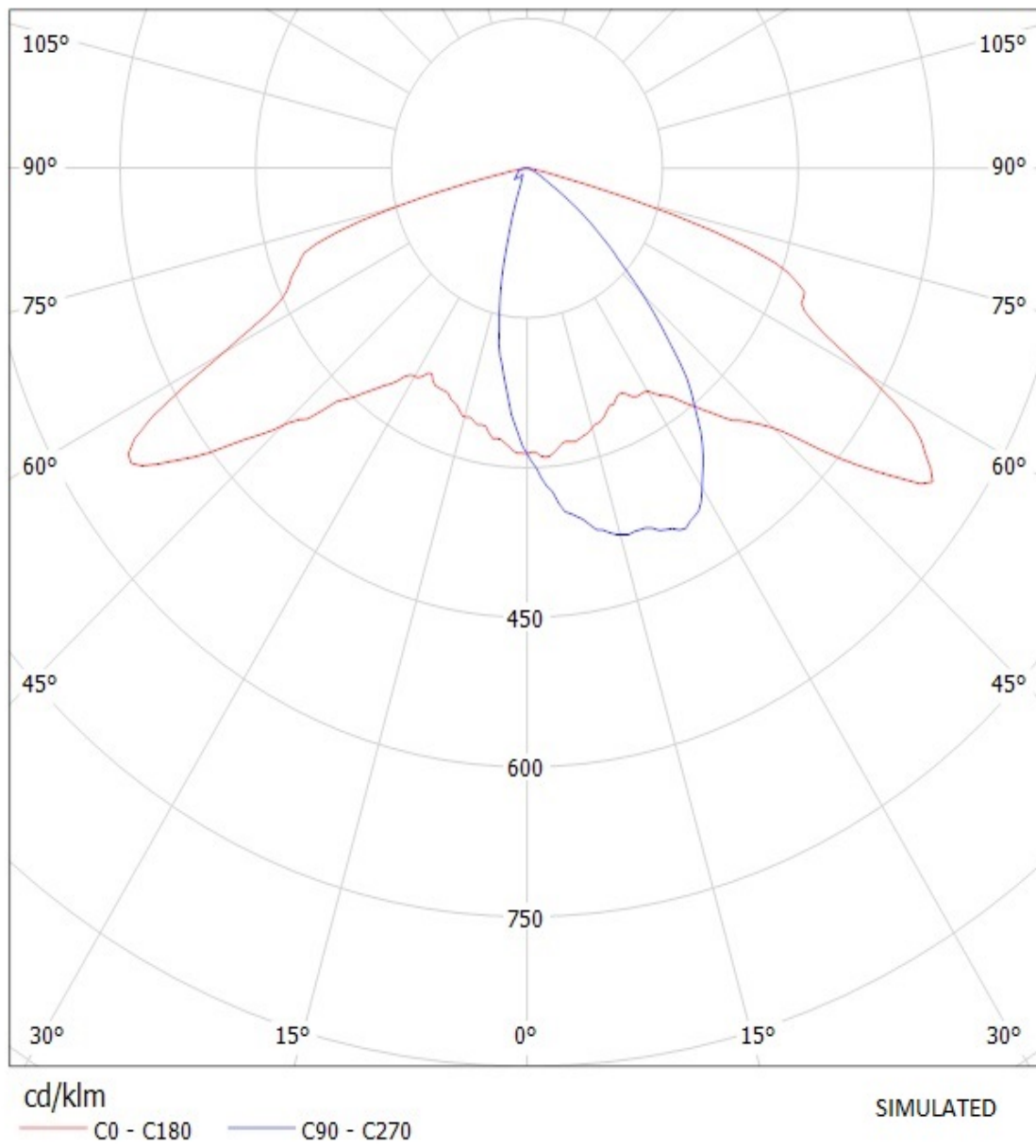


Luminaire: LEDiL Oy C14116_STRADA-2X2-PX_(XP-E)
Lamps: 1 x Cree_XP-E_2x2_(XPEWHT-L1-3C0-Q5-0-06)
_305.07lm@250mA_CCT=5434K_P=3.06902W_I=249.9mA

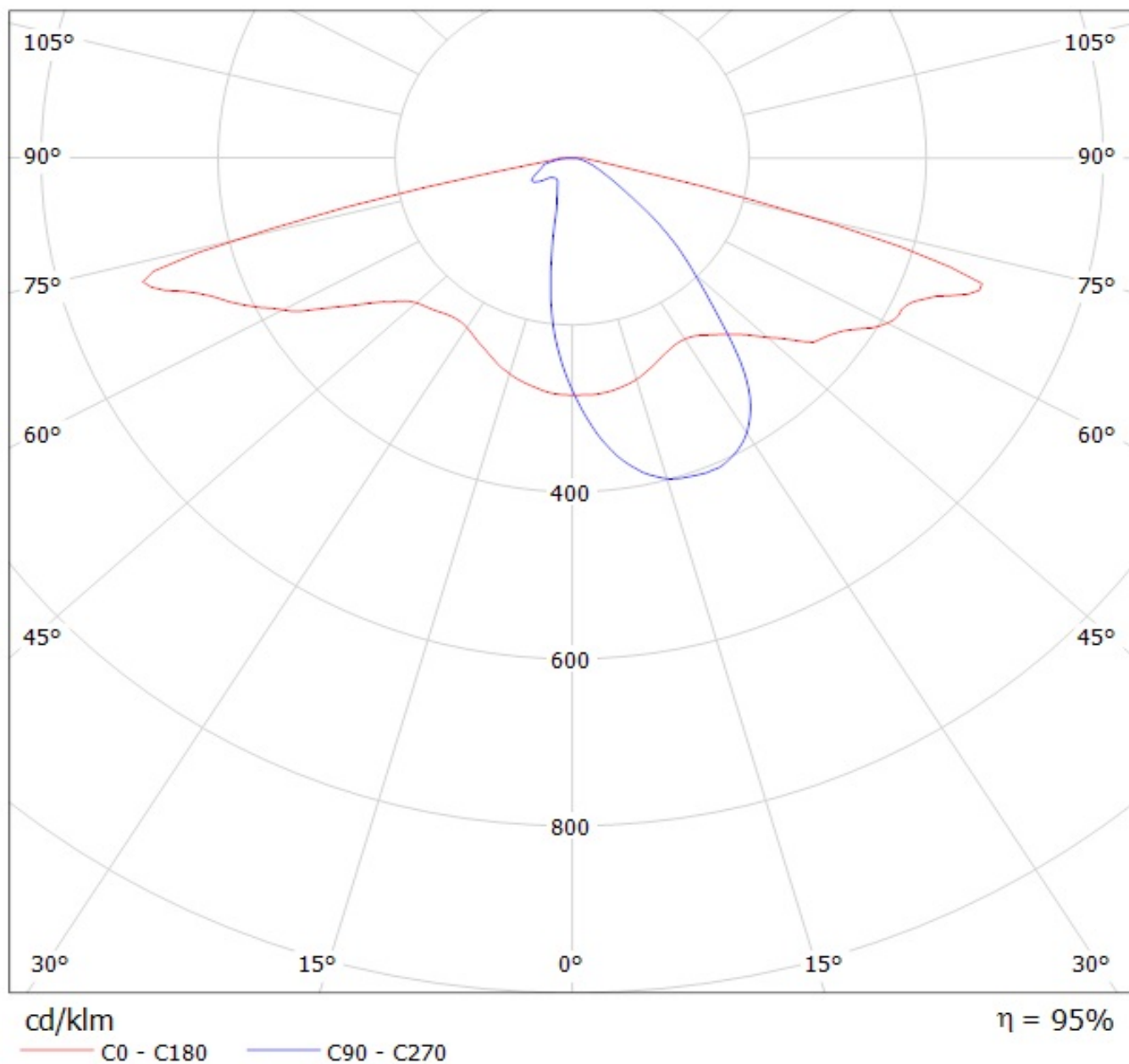


Ledil Oy C11918_Strada-T-6x1-DNW-XP C11918_Strada-T-6x1-DNW-XP / LDC (Polar)

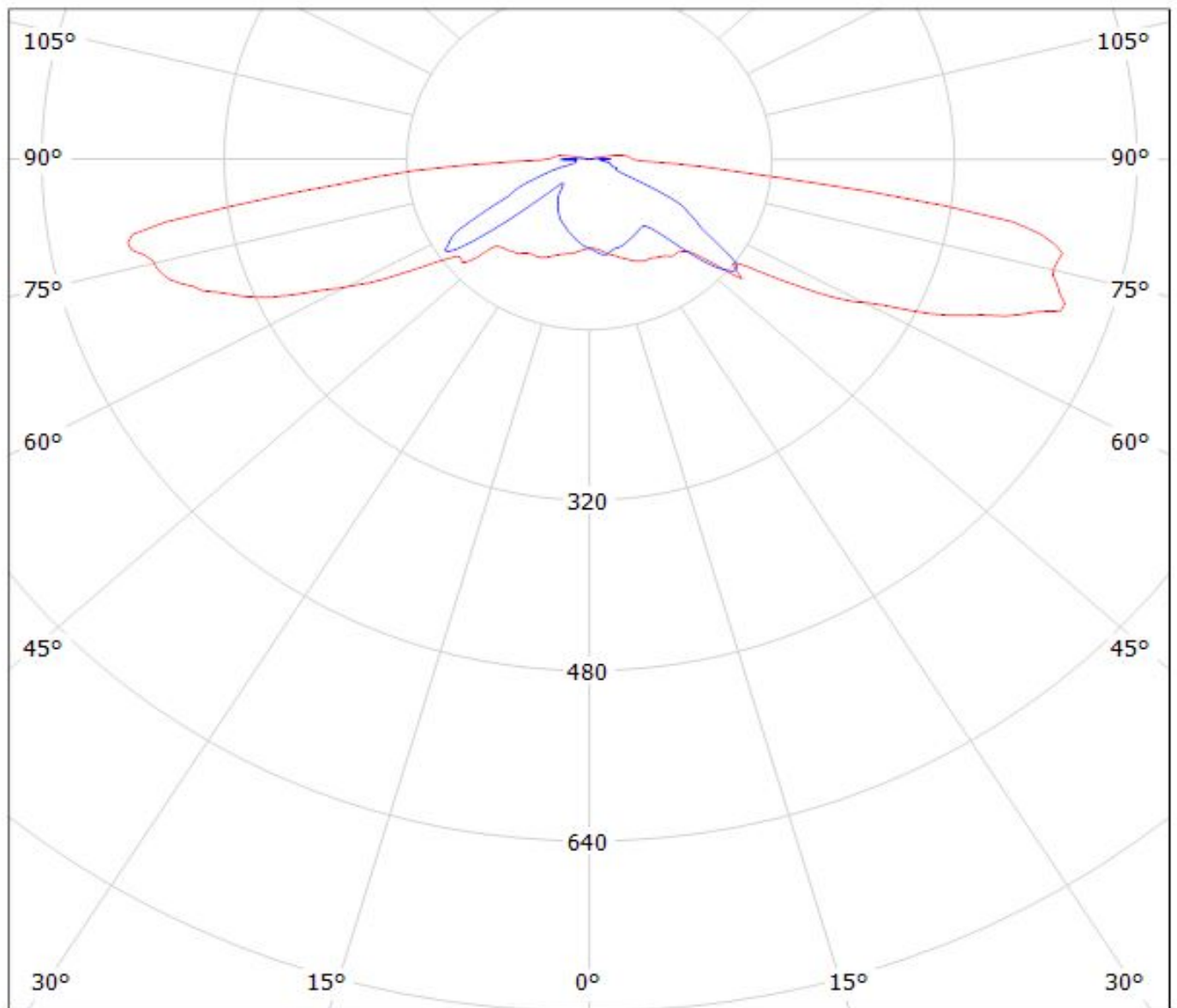
Luminaire: Ledil Oy C11918_Strada-T-6x1-DNW-XP C11918_Strada-T-6x1-DNW-XP
Lamps: 1 x LED Module



Luminaire: LEDIL OY C12449_STRADA-T-6X1-DWC C12449_STRADA-T-6X1-DWC
Lamps: 1 x Cree XP-E_6x1 (391lm) - 4.50 W



Luminaire: Ledil C13858_STRADA_2x2_XW_(XP-E)
Lamps: 1 x XP-E_337.15lm@250mA_P=8W_I=0.2499A



cd/klm

— C0 - C180

— C90 - C270

η = 94%

Luminaire: LEDiL Oy C14116_STRADA-2X2-PX_(XP-E)
Lamps: 1 x Cree_XP-E_2x2_(XPEWHT-L1-3C0-Q5-0-06)
_305.07lm@250mA_CCT=5434K_P=3.06902W_I=249.9mA

