

PRODUCT SPECIFICATION

Model No.: FYL-3019SUYPGC1A-CC

Descriptions:
■Dice material: AlGaInP/InGaN
■Emitting Color: Yellow/ Pure green
■Device Outline: Φ3mm round type.
■Lens Type: Water clear.



CUSTOMER APPROVED SIGNATURES	APPROVED BY	CHECKED BY	PREPARED BY

NINGBO FORYARD OPTOELECTRONICS CO.,LTD.

Add:NO.115 Qixin Road Ningbo Zhejiang China

Zip:315051

Tel: 0086-574-87933652 87927870 87922206

Fax: 0086-574-87927917

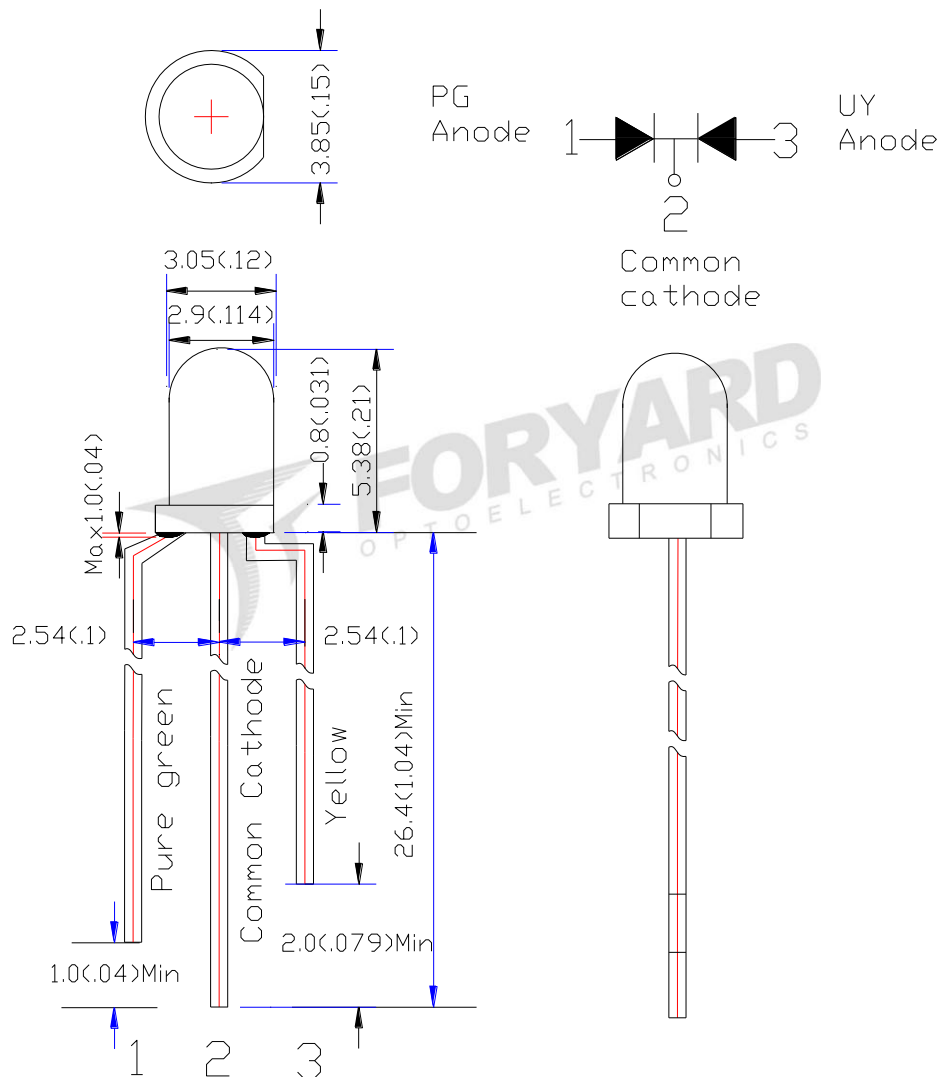
E-mail: Sales@foryard.com (General)

[Http://www.foryard.com](http://www.foryard.com)

■ Features

1. Low power consumption.
2. High efficiency.
3. General purpose leads.
4. RoHs compliant.

■ Package configuration



Notes:

1. All dimensions are millimeters (inches)
2. Tolerance is $\pm 0.25\text{mm} (.010\text{'})$ unless otherwise noted.
3. The specifications, characteristics and technical data described in the datasheet are subject to change without prior notice.

■ Absolute maximum ratings(Ta=25 ° c)

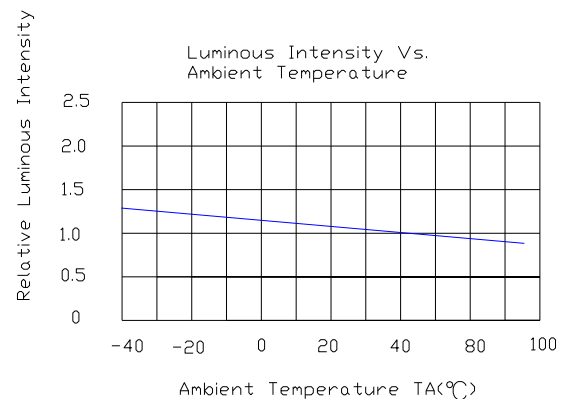
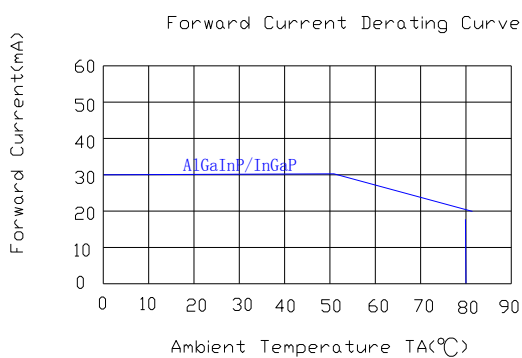
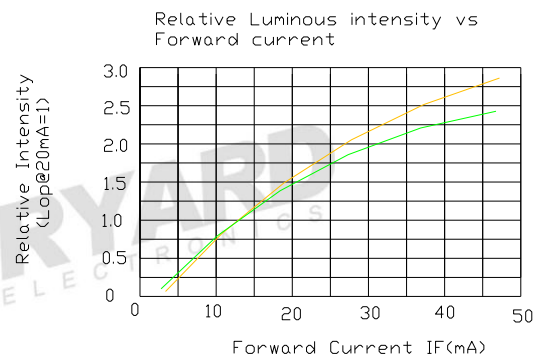
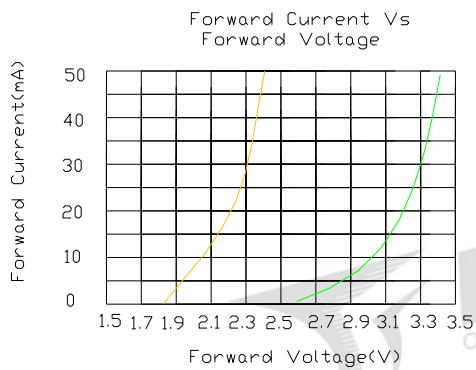
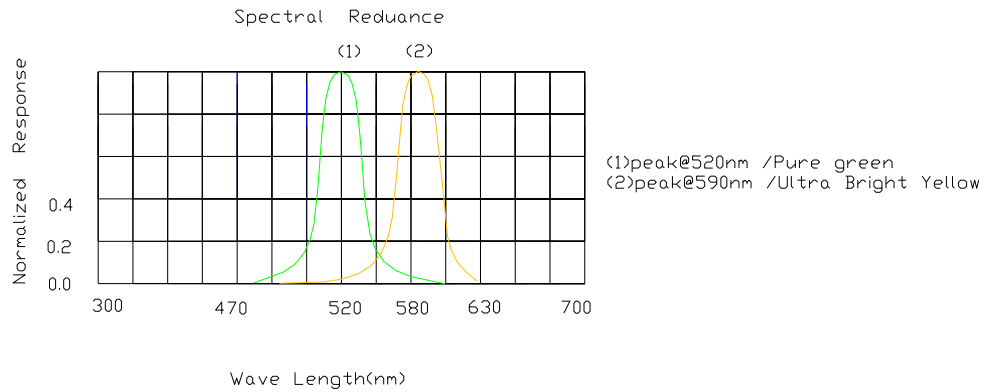
Parameter	MAX.		Unit
	UY	PG	
Power Dissipation	60		mW
		100	
Peak Forward Current (1/10 Duty Cycle, 0.1ms Pulse Width)	100		mA
Continuous Forward Current	30		mA
Derating Linear From 50 °C	0.4		mA/°C
Reverse Voltage	5		V
Operating Temperature Range	-40°C to +85°C		
Storage Temperature Range	-40°C to +100°C		
Lead Soldering Temperature[4mm(.157") From Body]	260°C for 5 Seconds		

■ Electrical and optical characteristics(Ta=25 ° c)

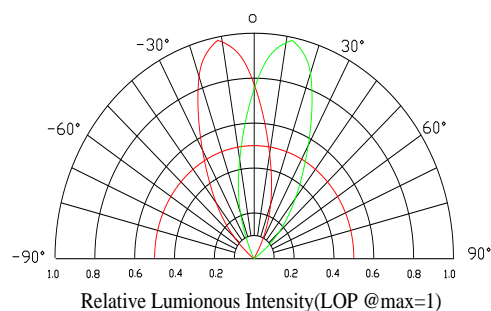
Parameter	Symbol	Min.	Typ.	Max.	Unit	Test Condition
Luminous Intensity	I _v	UY	1800	2500	-	mcd
		PG	5000	8000		
Viewing Angle	2θ _{1/2}	UY	-	30	-	Deg
		PG		30		
Peak Emission Wavelength	λ _p	UY		591		nm
		PG		520		
Dominant Wavelength	λ _d	UY	598	590	594	nm
		PG	517	520	527	
Spectral Line Half-Width	Δλ	UY		15		nm
		PG		30		
Forward Voltage	V _F	UY	1.8	2.0	2.3	V
		PG	2.8	3.0	3.4	
Reverse Current	I _R			10	μA	V _R =5V

■ Typical Electrical Characteristics Curves

(25 ° c Ambient Temperature Unless Otherwise Noted)

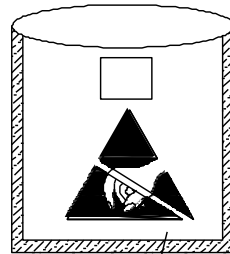
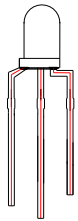


Radiation pattern.

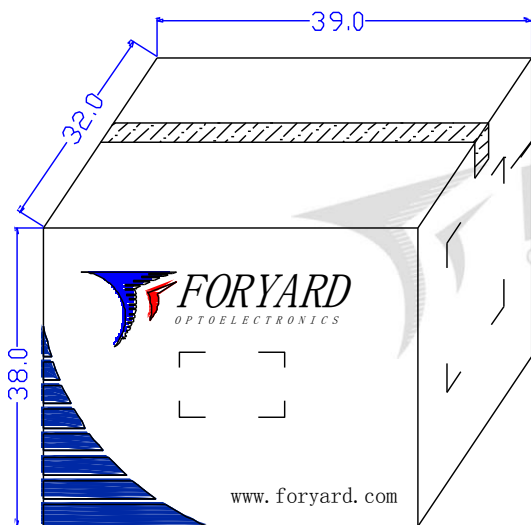
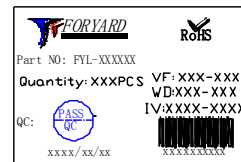


Model. No.	FYL-3019SUYPGC1A-CC
Rev.	A

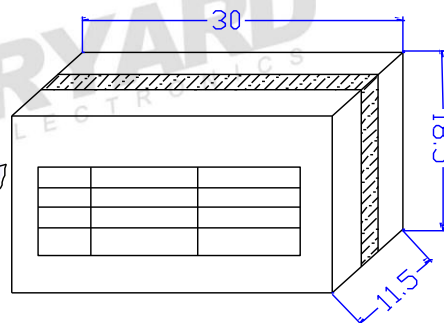
■ LAMP PACKING.



3mm 1000PCS/Polybag

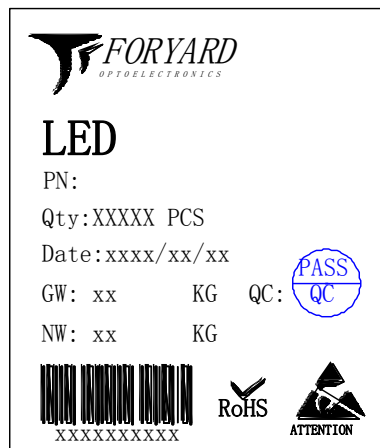


OUTSIDE LABEL



8000PCS/ Box

48000PCS/ Carton



OUTSIDE LABEL