

PRODUCT SPECIFICATION

Model No.: FYL-5019URUYW1C-CC

Descriptions:
■ Dice material: AlGaInP
■ Emitting Color: Red/yellow
■ Device Outline: Φ5mm round type.
■ Lens Type: White diffused.



CUSTOMER APPROVED SIGNATURES	APPROVED BY	CHECKED BY	PREPARED BY

NINGBO FORYARD OPTOELECTRONICS CO.,LTD.

Add: NO.115 Qixin Road Ningbo Zhejiang China

Zip: 315051

Tel: 0086-574-87933652 87927870 87922206

Fax: 0086-574-87927917

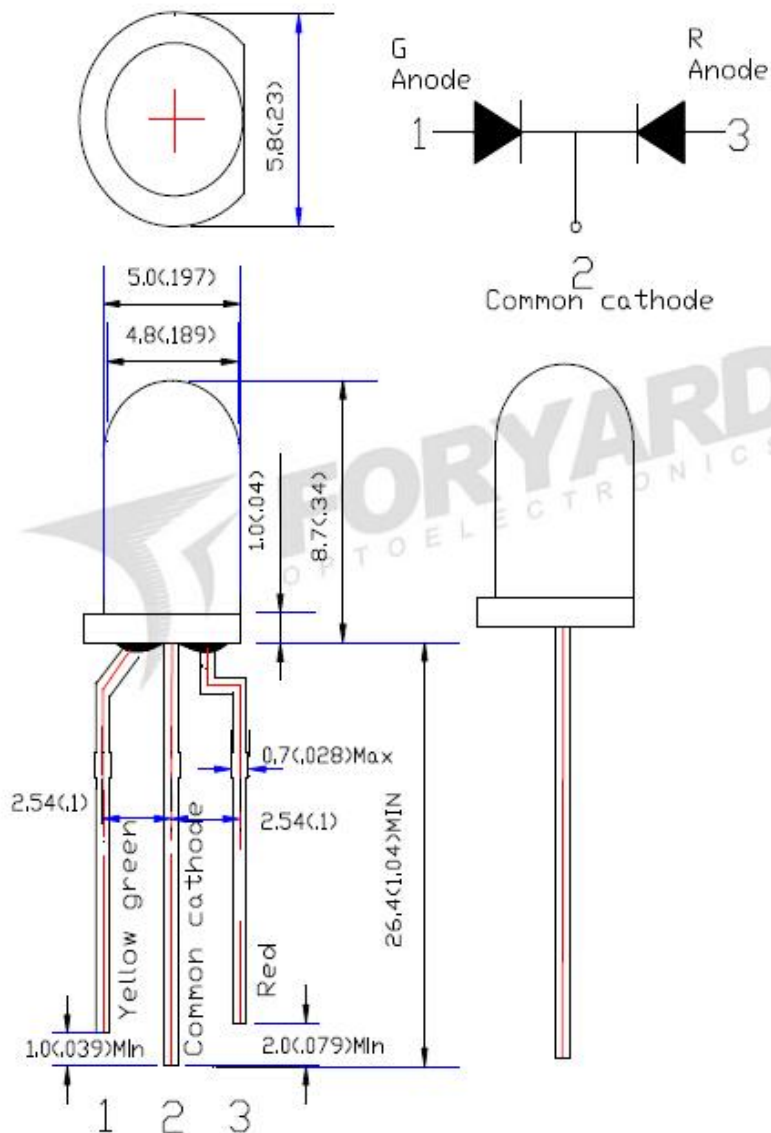
E-mail: Sales@foryard.com (General)

[Http://www.foryard.com](http://www.foryard.com)

■ Features

1. Low power consumption.
2. High efficiency.
3. General purpose leads.
4. RoHs compliant.

■ Package configuration



Notes:

1. All dimensions are millimeters (inches)
2. Tolerance is $\pm 0.25\text{mm}$ (.010") unless otherwise noted.
3. The specifications, characteristics and technical data described in the datasheet are subject to change without prior notice.

■ Absolute maximum ratings(Ta=25 °c)

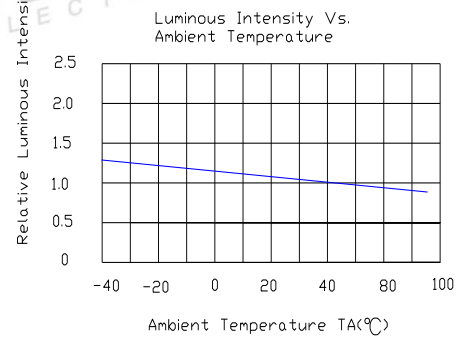
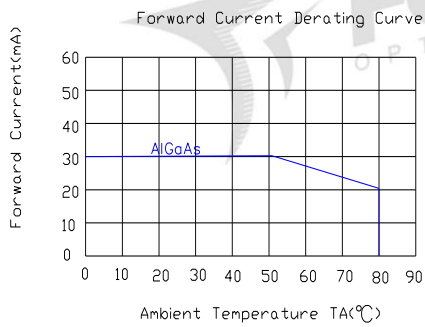
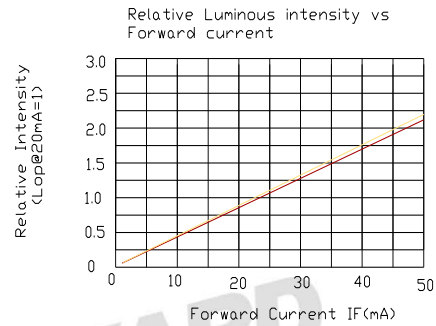
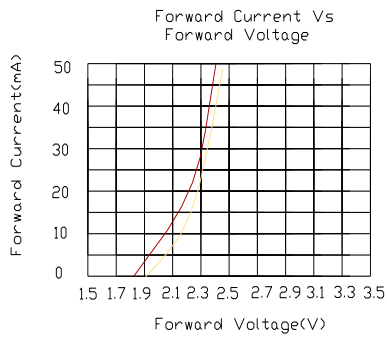
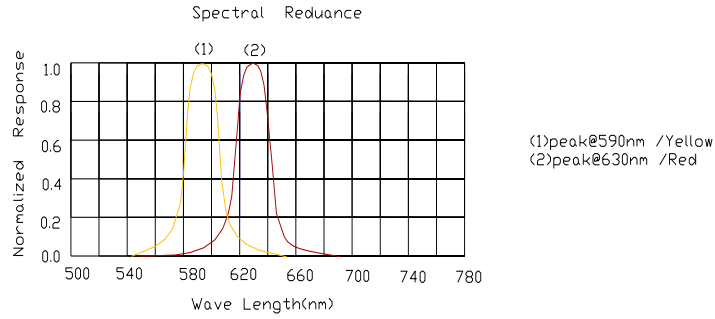
Parameter	MAX.		Unit
	Power Dissipation	UR	
	PG	100	
Peak Forward Current (1/10 Duty Cycle, 0.1ms Pulse Width)	100		mA
Continuous Forward Current	30		mA
Derating Linear From 50°C	0.4		mA/°C
Reverse Voltage	5		V
Operating Temperature Range	-40°C to +85°C		
Storage Temperature Range	-40°C to +100°C		
Lead Soldering Temperature[4mm(.157") From Body]	260°C for 5 Seconds		

■ Electrical and optical characteristics(Ta=25 °c)

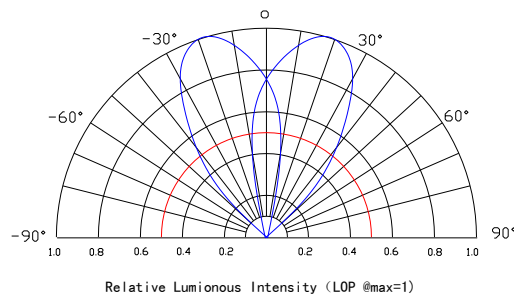
Parameter	Symbol	Min.	Typ.	Max.	Unit	Test Condition	
Luminous Intensity	I _v	UY	400	-	mcd	I _F =20mA	
		UR	800	-			
Viewing Angle	2θ _{1/2}	UY	40	-	Deg		
		UR	40	-			
Peak Emission Wavelength	λ _p	UY	590	-	nm		
		UR	630	-			
Dominant Wavelength	λ _d	UY	585	590	595		nm
		UR	620	625	630		
Spectral Line Half-Width	Δλ	UY	15	-	nm		
		UR	30	-			
Forward Voltage	V _F	UY	1.8	2.0	2.4	V	
		UR	1.8	2.0	2.4		
Reverse Current	I _R			10	μA	V _R =5V	

I Electrical Characteristics Curves

(25 °c Ambient Temperature Unless Otherwise Noted)

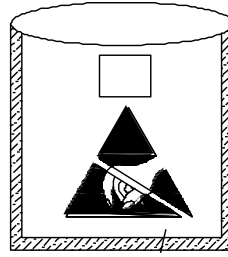
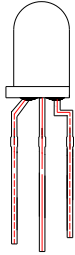


Radiation pattern.

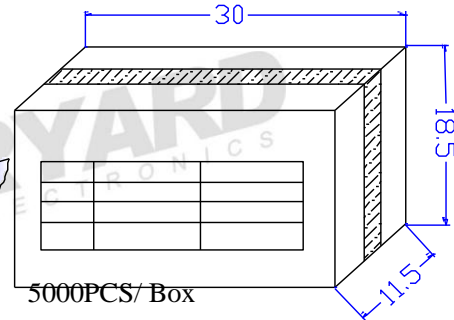
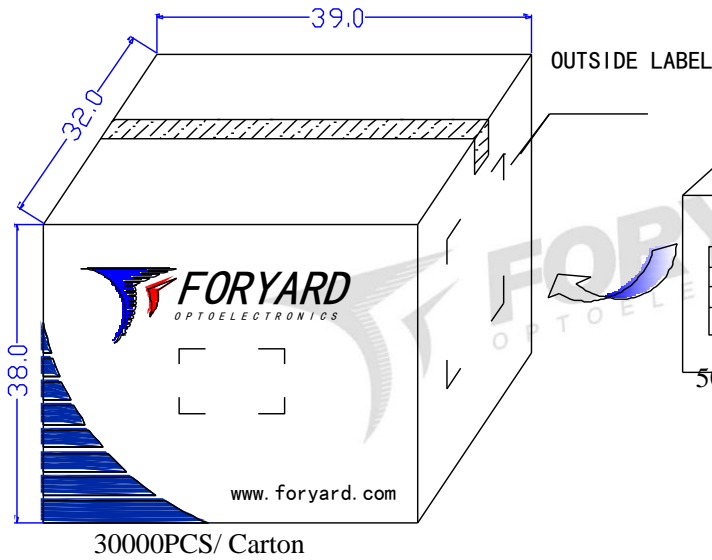
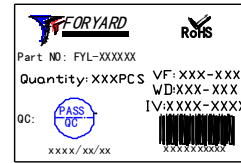


■ **LAMP PACKING.**

Model. No.	FYL-5019URUYW1C-CC
Rev.	A



5mm 500PCS/Polybag



OUTSIDE LABEL