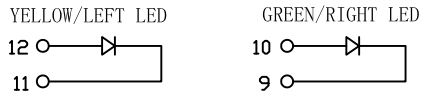
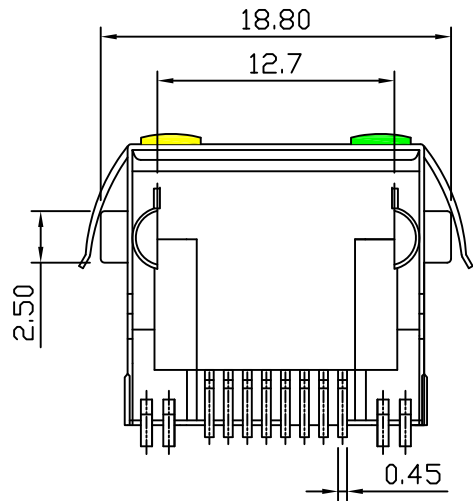
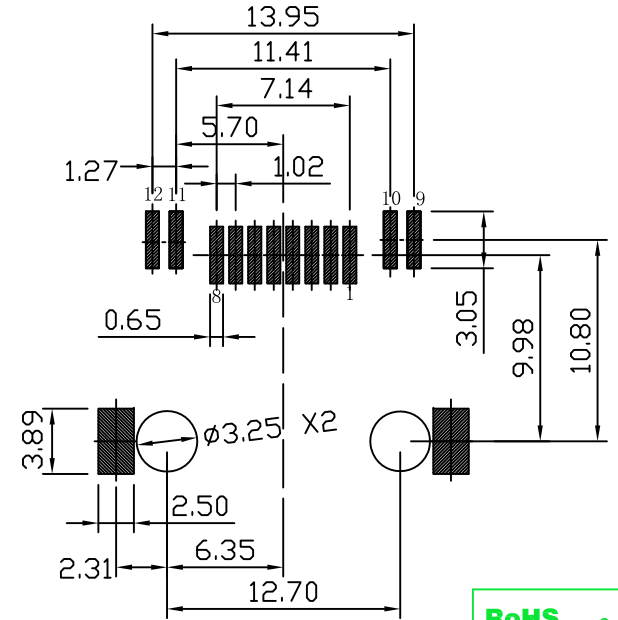
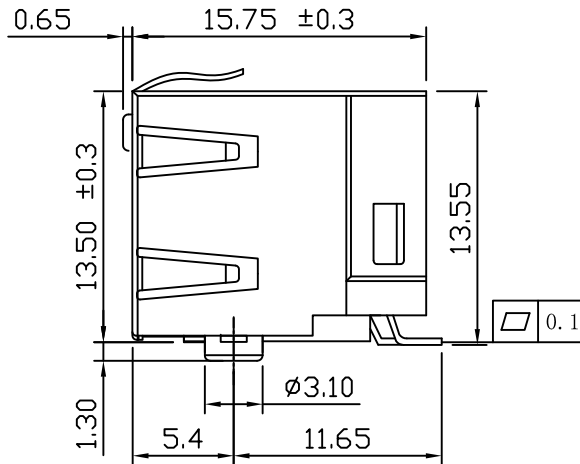
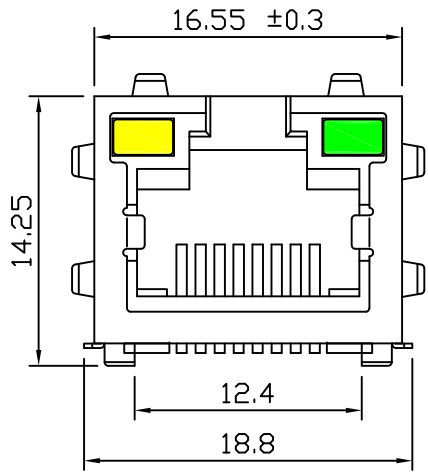


Mechanical:

REW.	ECN NO.	DESCRIPTION	DATE	APPD
A	REL		2015-07-03	



LPJES101XAGNL

Gold Plating	"X"
Gold Flash	0
1.5u"	1
3u"	2
6u"	3
15u"	4
30u"	5
50u"	6

NOTES:

Electrical:

- 1. Voltage rating : 125 VAC RMS
- 2. Current Rating : 1.5 AMP
- 3. Contact resistance : 20 mΩ Max
- 4. Insulation resistance : 1000 MΩ Min @500V DC
- 5. Dielectric strength : 1000 VAC RMS 50Hz, 1MIN.

MECHANICAL:

- 1. Housing & Insert Material : PBT UL94V-0.
- 2. Contact Material : Phospor bronze T=0.30mm
- 3. Plating : Gold Plating OVER nickel, Gold plated on contact area 3U"
- 4. Operating Life : 750 Cycles Min.

ENVIRONMENTAL:

- 1. Storage : -40°C ~ +85°C
- 2. Operation : -40°C ~ +85°C.
- 3. Wave solder temperature : 265°C 5 Sec MAX

X:X	±0.30	APPD:	LINK-PP INT'L TECHNOLOGY CO., LIMITED	
X:XX	±0.25	CHKD:	TITLE: SMT RJ45 Connector	
X:XXX	±0.05	DR: TOM	PART NO.: LPJES101XAGNL	
ANGLES	±1°	UNIT: mm	DWG NO.: LP15060918	
	SCALE: 1/1	SHEET: 1/1	REV: A	