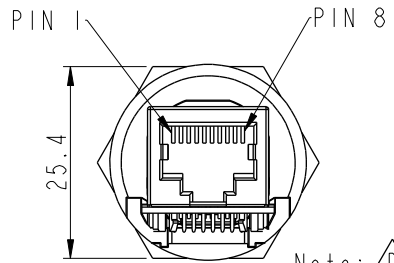
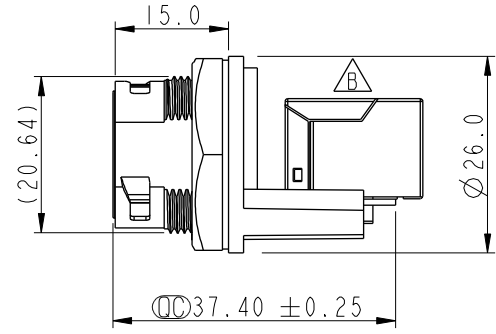
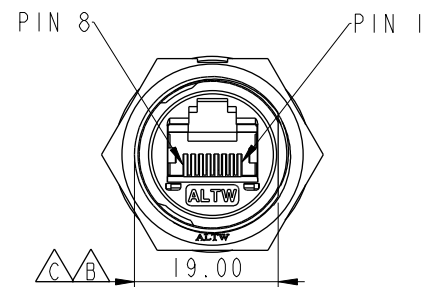
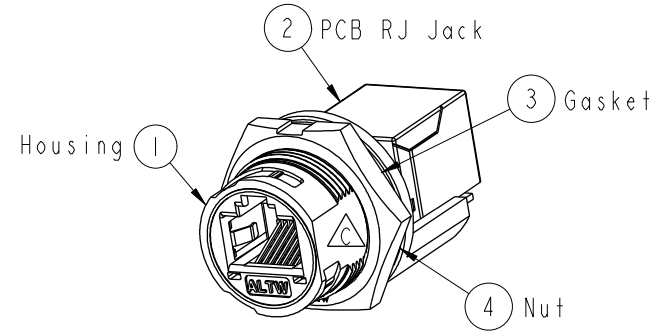
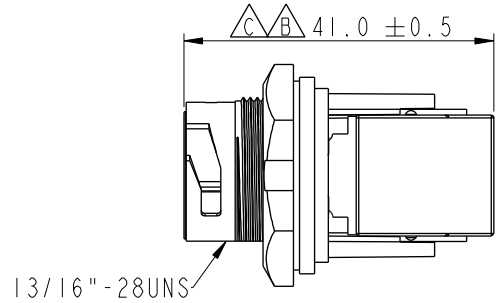
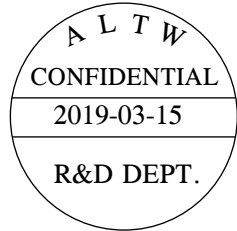
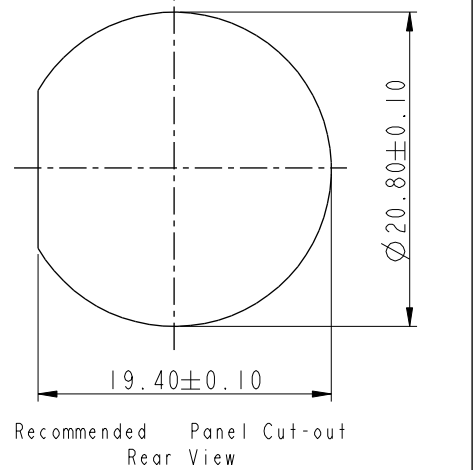


REV.	ECN NO.	DATE	SIGN	DESCRIPTION
C	LEN1440185	2014-04-19	Tom_gu	Change D Cut
D	CI90405	2019/03/15	Ruru	Modify Note



- Note: $\triangle D$
- * CC Important Dimension
 - * Waterproof Rate : IP67, Mated
 - * Housing : Thermoplastic, Black
 - * Nut : Thermoplastic, Black
 - $\triangle B$ * Gasket : Rubber, Gray
 - * PCB: FR-4
 - * Jack : Thermoplastic
 - $\triangle B$ * Use without Waterproof cap or Dust cap
For Panel Thickness Max: 4.2mm
 - * Use with Waterproof cap or Dust cap
For Panel Thickness Max: 3.0mm
 - $\triangle B$ * Screw torsion value range: 8~12kgf-cm
 - * Gasket and Nut are packed separately
in PE bags.



A	UNIT : mm	TITLE RJ45,C SIZE, MATED WP			ITEM NO RCP-5SPFFH-TCM7001	DRAWN BY Ruru	DATE 2019-03-15
	TOLERANCE .X ±0.25 .XX ±0.1 .XXX ±0.05 ANGLES ±1°	SCALE 1:1	SIZE A4	SHEET 1 OF 1	DWG NO RCP-5SPFFH-TCM7001	CHECKED BY Rita	DATE 2019-03-15
		REV. D	WC-REV. B.3	CC : Inspection item	CUSTOMER ALTW	APPROVED BY Max	DATE 2019-03-15
		<h2 style="text-align: center;">Amphenol LTW</h2> <p style="text-align: center;">安費諾亮泰企業股份有限公司</p>					

THIS DOCUMENT IS SUBJECT TO CHANGE WITHOUT NOTICE. IT IS CONFIDENTIAL AND A PROPERTY OF Amphenol LTW. DISCLOSURE TO THIRD PARTY HAS TO BE AUTHORIZED BY Amphenol LTW.