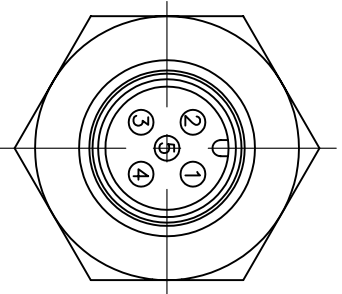
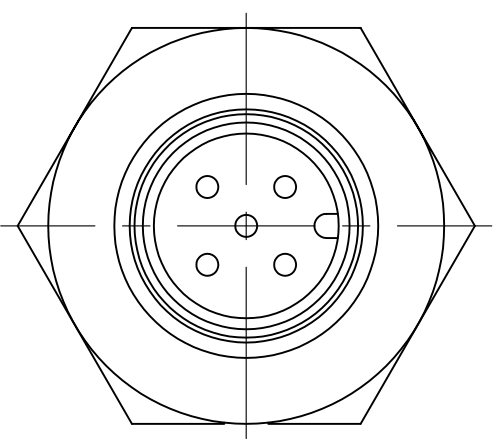
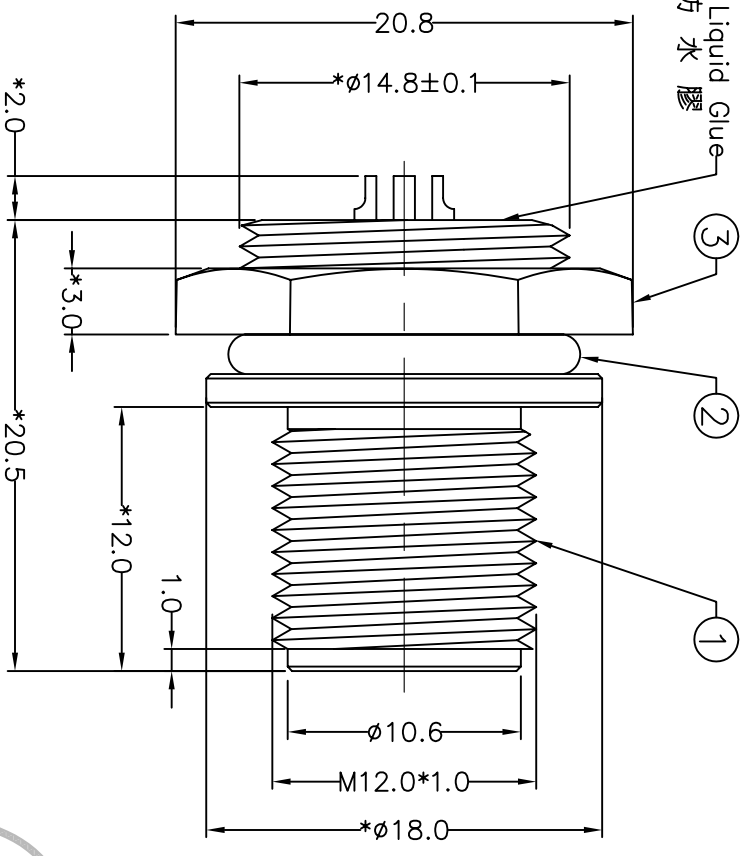
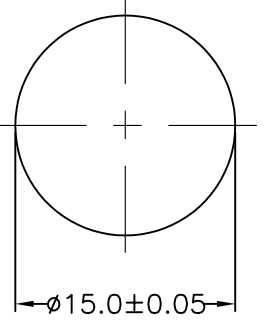


④ With Liquid Glue
點防水膠



PIN ASSIGNMENTS
FRONT VIEW 前視圖



RECOMMENDED
PANEL CUT-OUT



Notes:
* Important Dimension To Check.
(* 為重點檢驗尺寸)

4	Liquid Glue		1	LIQ-002
3	Nut	Nylon+30%GF	1	ANB277XXX01
2	Ring	EPDM	1	DDR0019EP70
1	Connector	M12 5Pin Male,Nylon+GF	1	ZTM214C0501
NO.	NAME	COLOR	SPECIFICATION	QTY
				NOTE

UNIT: mm

TOLERANCE
X.XX ±0.25
.XXX ±0.1
ANGLES ±1

TITLE
M12.0 5Pin Male Sensor Connector

SCALE 3:1 SHEET 1 OF 1

REV. A DATE SIZE A4

亮泰企業股份有限公司

ITEM NO. LTYM12P-05PMMMS-SC
DWG NO. LTYM12P-05PMMMS-SC
CUSTOMER

DRAWN BY XIAO WEI XIE DATE 2004/02/07
CHECKED BY 龍向和 DATE 2004/09/21
APPROVED BY 席武濤