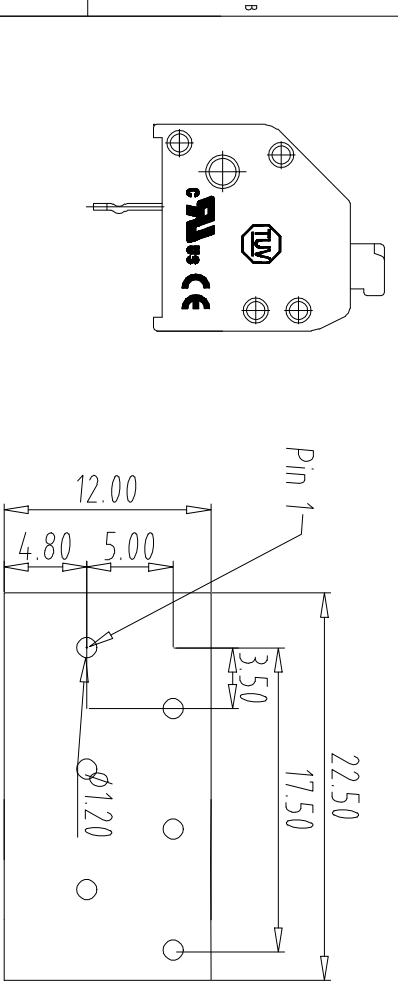
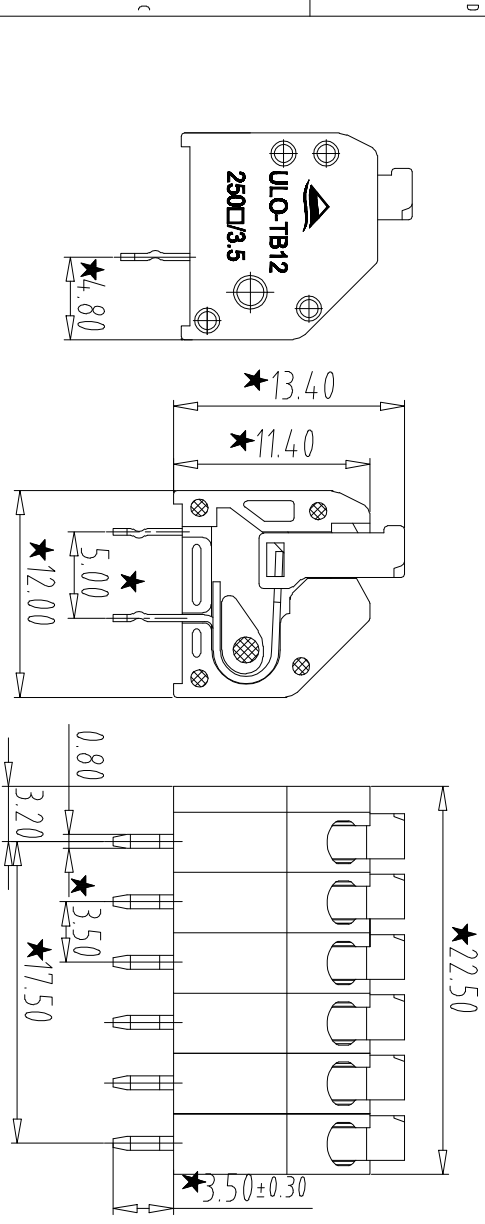


FILE:	6	5	4	3	2	1
REV	E.C.N. NO.	CONTENT	CHK	DATE		
V0.0		初版	ZCP	2016.11.24		



PCB LAYOUT

Total Pitch Tolerances		Nominal dimension range	
in	mm	in	mm
0	0	0	0
30	53	30	53
53	70	53	70
70	90	70	90
90	115	90	115
115	150	115	150
150	200	150	200
200	250	200	250
250	320	250	320
320	30	30	30
30	53	53	53
53	70	70	70
70	90	90	90
90	115	115	115
115	150	150	150
150	200	200	200
200	250	250	250
250	320	320	320
320	10	10	10
10	10	10	10
10	10	10	10
10	100	100	100
100	150	150	150
150	0.2	0.2	0.2
0.2	0.3	0.3	0.3
0.3	0.3	0.3	0.3
0.3	0.2	0.2	0.2
0.2	0.3	0.3	0.3
0.3	0.5	0.5	0.5

NOTES:

- Rating: 300V/10A
<IEC> 250V/10.5A
- Poles:03P
- Insulation Withstands Voltage: AC2000V/1 Min
- Insulation Resistance: 500MΩ at DC500V
- Using Temperature Range: -40°C/+115°C
- Max soldering : +250° for SS
- RoHS Compliance.
- Suitable Electric Wire:28-18AWG(UL) 0.2-1.0mm² (IEC)
- With "★" is important dimension

How to order

UL0-TB12 - 250B/3.5 - 06P -1 0 0 0A

Certificate Factory poles color: Customer requirements
 Series NO. Code 1:Grey 2:Blue 3:Black 4:Green 5:Orange 6:Red 7:transparent 8:Yellow 9:White

5	SHORT-PIN	300TB0020	1	Phosphor bronze	Tin Plated
4	LONG-PIN	300TB0010	2	Phosphor bronze	Tin Plated
3	LEVER	300LDV00A	3	PA66	UL94V-0
2	Cover	300COY00A	1	PA66	UL94V-0
1	Housing	300HA0YXXA	3	PA66	UL94V-0
DWG.	ZCP	DATE	16.11.24	UNITS	MM
CHK	DATE			SCALE	1:1
APP	DATE			SHEET/OF	A4 / 1/1
				NAME	UL0-TB12-250B/3.5-06P-1000A
NINGBO UL0 ELECTRONICS CO.,LTD. 宁波敏微电子有限公司				DWGNO	UL0TB121000A