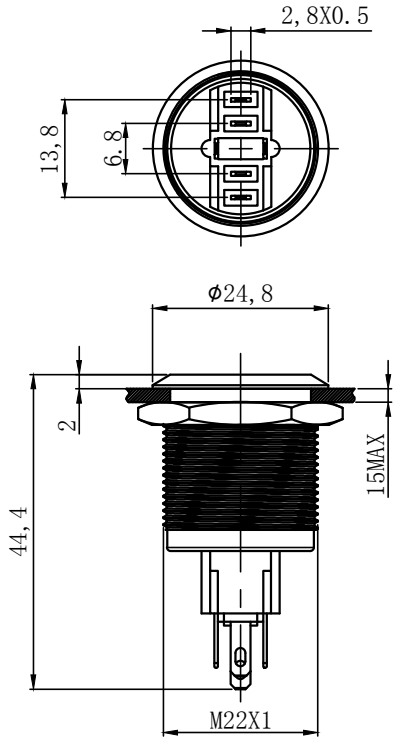


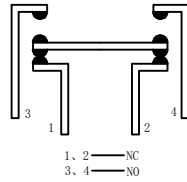
UNIT: mm (毫米)

HBAN

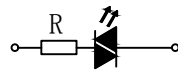
红波



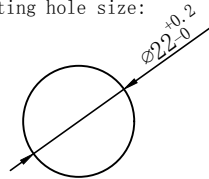
开关结构说明:
Switch structure description:



灯珠等效电路:
Lamp bead equivalent circuit:



安装孔尺寸:
Mounting hole size:



性能要求:

Performance requirements:

- 防护等级: IP65;
Protection grade: IP65.
- 接触电阻: $\leq 50\text{m}\Omega$;
Contact resistance: $\leq 50\text{m}\Omega$.
- 绝缘电阻: $\geq 100\text{M}\Omega$;
The insulation resistance: $\geq 100\text{M}\Omega$.
- 抗电强度: AC2500V, 1min, 无闪烁、击穿;
Electrical resistance: AC2500V, 1min, no flicker and breakdown.
- 寿命: 电气部分在额定负载下动作5万次无异常。
Life: electrical part: operate 50,000 times under rated load without any abnormality.
机械部分: 动作100万次无异常;
Mechanical part: no abnormal movement for 1000,000times.

技术要求:

Technical requirements:

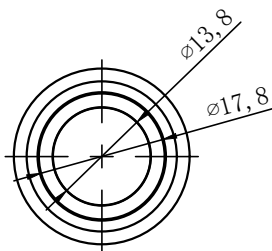
- 表面光洁, 平整无毛刺;
The surface is smooth and smooth without burr;
- 参数/批次字迹清晰, 无错位;
Clear handwriting of parameters/batches without any dislocation;
- 额定电压: Ith: 5A Ui: 250V;
Rated voltage: 5A Ui: 250V;
- 工作环境温度: $-25^{\circ}\text{C} \sim +65^{\circ}\text{C}$;
Working environment temperature: $-25^{\circ}\text{C} \sim +65^{\circ}\text{C}$;
- 动作形式: 自锁式;
Action form: self-locking ;
- 动作行程: 约3.5mm;
Movement stroke: about 3.5mm
- 连接形式: 配套接插件/焊接导线;
Connection form: supporting connector/welding wire;
- 拧紧力矩: 5~14Nm;
Tightening torque: 5-14nm;
- 开关组合: 1N01NC;
Switch combination: 1N01NC;
- 外观材料: 按键: PC/不锈钢;
外壳: 不锈钢;
底座: PBT;
触点: 银合金;
Appearance material: Keypad: PC/stainless steel;
Case: stainless steel;
Pedestal: PBT;
Contact silver alloy
- 未标注公差按照GB/T 1804-m级。
Unmarked tolerance shall be in accordance with GB/T 1804-f class.
- 灯珠参数: 额定电压: 6V/12V/24V/36V; 110V/220V;
额定电流: $\leq 20\text{mA}$;
Lamp bead parameters: rated voltage :6V/12V/24V/36V; 110V/220V;
Rated current: $\leq 20\text{mA}$
- 灯珠颜色: 红/绿/黄/橙/蓝/白;
Color: red/green/yellow/orange/blue/white
- 灯珠寿命: 50000小时。
Led life: 50000 hours.

描 图

描 校

底 图 号

装 订 号



					SHANGHAI HONGBO ELECTRIC CO. LTD.
					上海红波电器有限公司
					名称 (TITLE): M22 Metal waterproof button switch
标 记	处 数	更改文件号	签 字	日 期	M22金属防水按钮开关
DR 制 图	APPD. 审 核	SCALE 比 例	countersign 会 签	Date 日 期	
黄	陈秋霞	1:1		2020.10.15	图号 (DWG NO): HBGQ22F-11EZ/J/S
PW 单 重		P. 页 码	第1页 共1页 (1/1)		