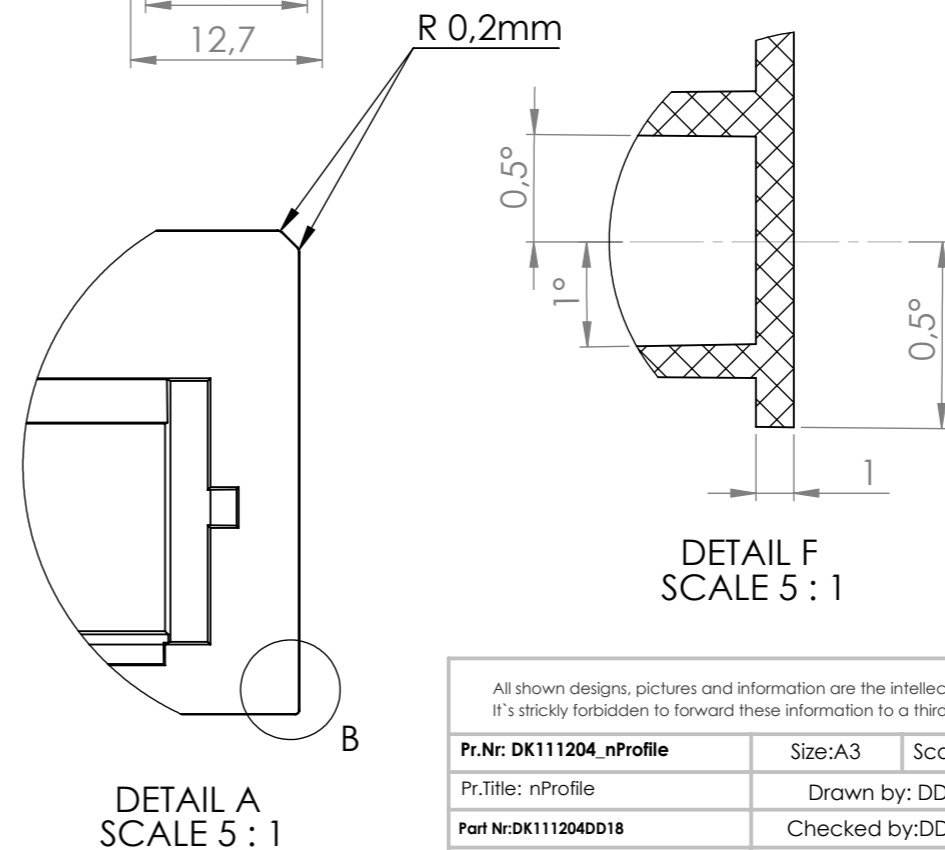
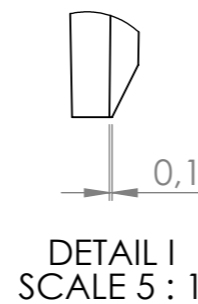
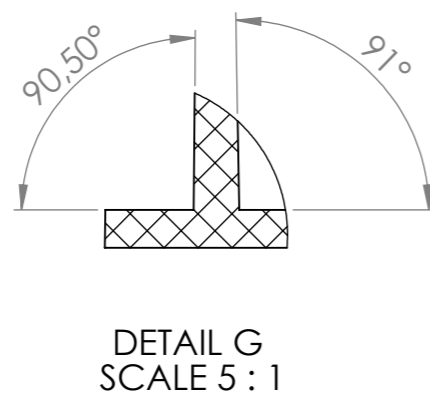
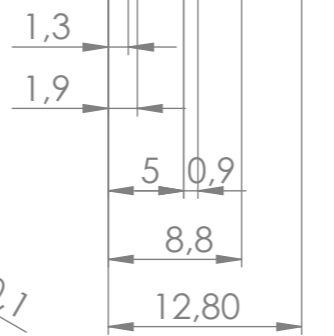
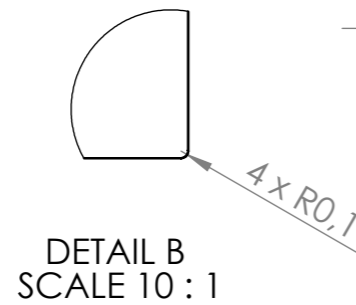
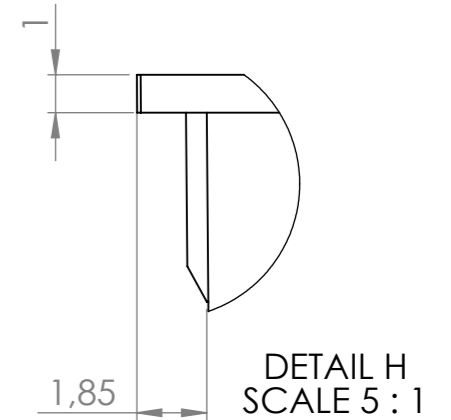
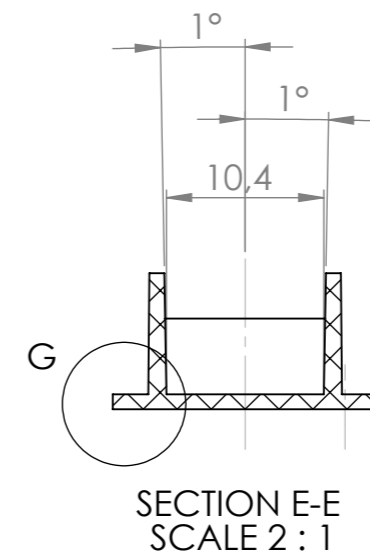
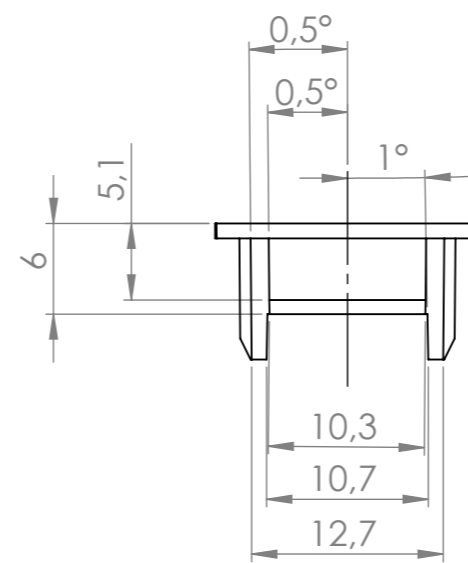
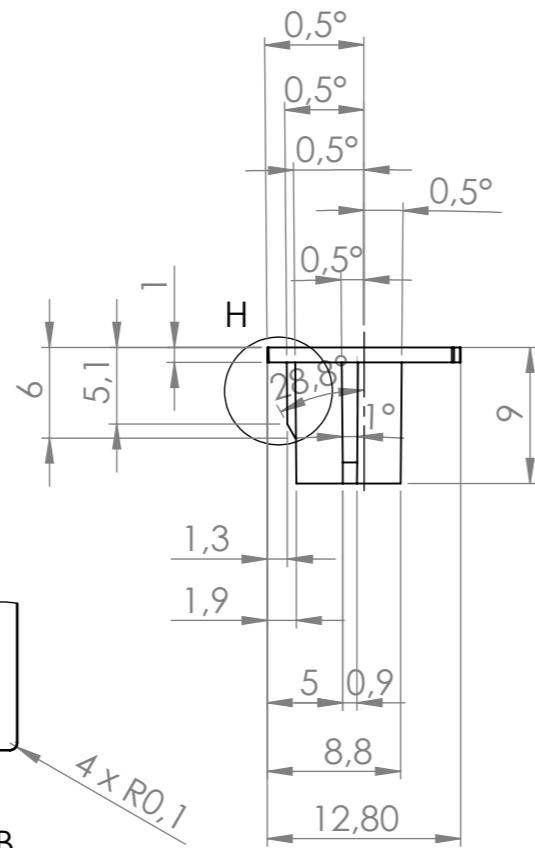
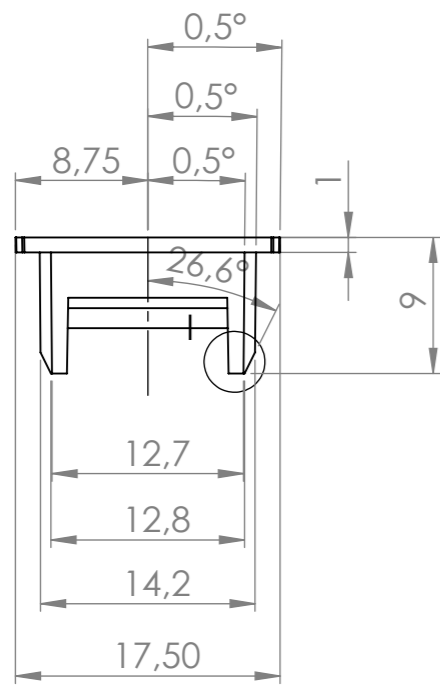
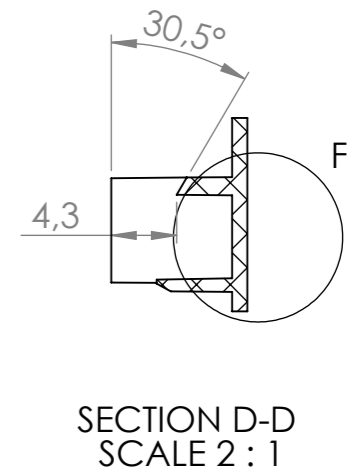
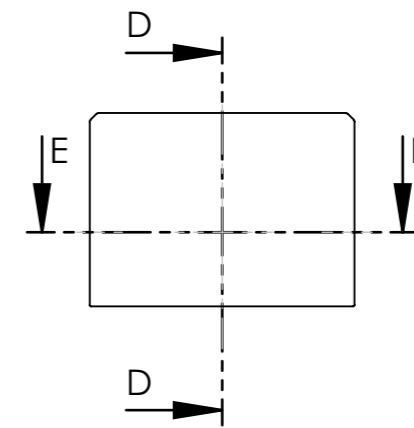
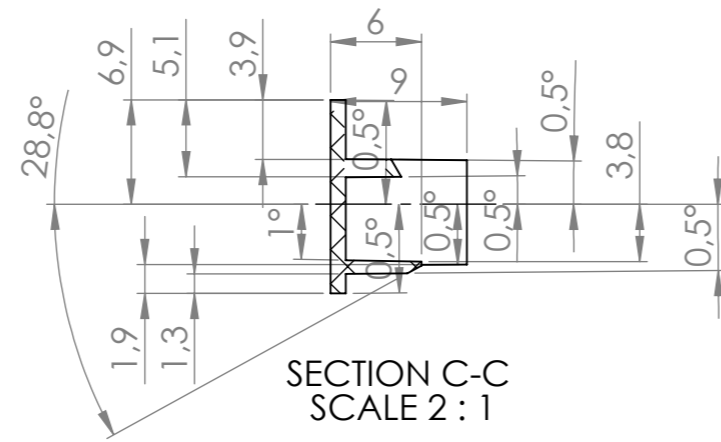
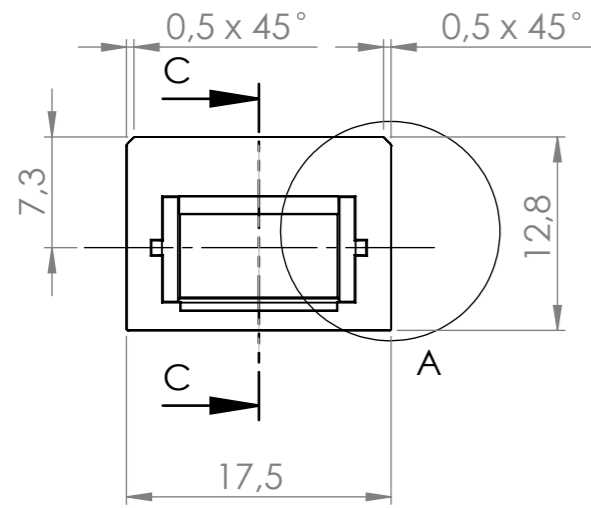
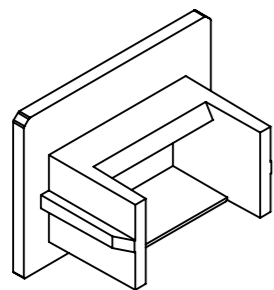


Pos.nr	Title	Part/Drw.nr.	Description	Material	Des.2	Weight
1	EndCap	DK111204DD18	-	ABS	-	0.00



Line dimensions tolerances, if not marked on drawing		
Nominal Dimension [mm]		Tolerance [mm]
Over	To	m
0,5	3	(+/-)0,05
3	6	(+/-)0,05
6	30	(+/-)0,1
30	120	(+/-)0,15
120	315	(+/-)0,2



All shown designs, pictures and information are the intellectual property of Niviss. It's strictly forbidden to forward these information to a third party! All copyrights are belonging to Niviss.				European Projection -First Angle
Pr.Nr: DK111204_nProfile	Size:A3	Scale:2:1	Date:	Weight: 0.00 kg
Pr.Title: nProfile	Drawn by: DD	22.01.16	Revision: A	
Part Nr:DK111204DD18	Checked by:DD	22.01.16	Date:27.01.16	
Part name: Endcap	Approved by:		Sheet: 1 of 1	

NIVISS
ul. Rdestowa 53D
80-577 Gdynia
Poland