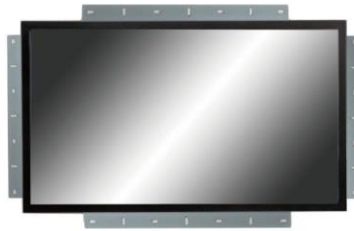


Features :

- ★ Made in Taiwan
- ★ FHD 1920x1080
- ★ Wide Viewing Angle 178° /178°
- ★ Brightness Options : 500/700/1500 nits
- ★ Touchscreen options : IR/SAW
- ★ Display Connector Options : VGA/DVI/HDMIx2
- ★ Metal Enclosed Cabinet
- ★ Open-frame Brackets , Wall Mount Bracket , Whiteboard Stand
- ★ Splash Proof, Vandal Proof, AG/AR/AFP Options
- ★ **Auto Play the video via USB Pendrive. (PC free!)**



Display Characteristics

Model No.	NTI550	Resolution	1920x1080 (Full HD)
Active Screen Size	54.6 inch	Brightness	Optional
Active Area	1209.6x680.4 mm	Contrast Ratio	4000:1
Display Ratio	16:9	Viewing Angle (L/R/U/D)	89°/89°/89°/89°
Backlight Unit	LED	Response Time	6.5 msec
Display Colors	10 bits colors	Surface Treatment	Anti-Glare
Operating Temp.	0-50 °C		

General Specification

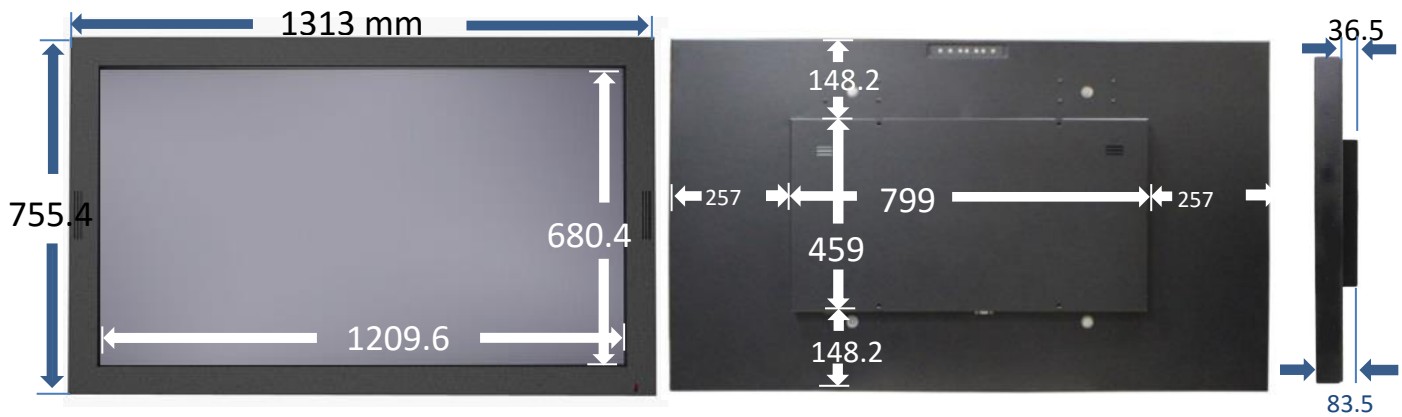
Speaker	6Wx2	Power supply	AC 100~240V
Housing Material	Galvanized Steel (SECC)	Control	OSD / Remote Control
Dimension	1313x755.4x83.5 mm	Net Weight	42 KG
Wall mount holes	VESA 400x400 mm		
Display Connectors	VGAx1 , DVIx1 , HDMIx2 , USB input(Pendrive) x1		

Brightness Options

Brightness	Model No.
(Standard) 500nits	NTI550XXXX NXX
700 nits	NTI550XXXX 7XX
* 2500 nits	NTI550XXXX ZXX

* Sunlight Readable

Dimemnsion



USB Multimedia Playback Format

Movie	.avi .mpg .dat .vob .mov .mkv .rm .rmvb .mp4 .mjpeg .ts .trp .wmv .asf .flv
Picture	.jpg .bmp .png
Music	.mp3 .m4a

Note :

1. Touch function and pendrive auto play function can't work at the same time.
2. Touch function requires a PC or an android/linux device.
3. Pendrive auto play function requires an USB pen-drive. (without PC)

Touchscreen Options.

Type	Model No.
No touch	NTI5500XXXXXX
I.R	NT550IXXXXXX
S.A.W	NTI550SXXXXXX

Touchscreen Specification

Type	Touch Points	Transparency	Precision	Hardness	N.Weight	Interface
I.R	10	≥92%	2.5mm ±10%	≥7H	42 KG	USB
S.A.W	1	≥92%	2mm ±10%	≥7H	42 KG	USB

Other Customization Options

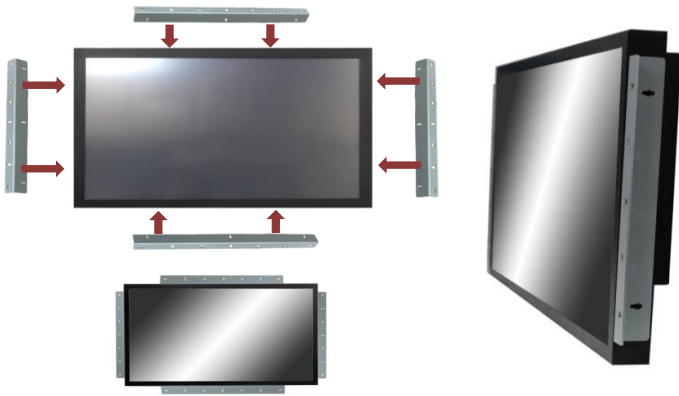
Surface Film : AR Tempered Glass	Color : Any Color (requires MOQ 50+)
Vandal Proof : Tempered Glass Hardness 7H	Splash Proof : IP 65 Compliant Front Panel

Coding Rule

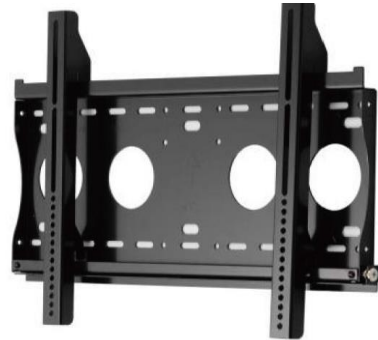
NT I 550 I 0 B U N S A



Open-frame Brackets (option)



Wall Mount Brackets (option)



Cart Stand (option)



Whiteboard Stand (option)

