

10.4" Fanless Multi-touch Panel PC with
Intel® Celeron® J1900 Processor



Features

- 10.4" LED Panel with Projected Capacitive Touch Display
- Embedded Intel® Celeron J1900 2.0GHz Processor
- System Memory up to 8 GB DDR3L 1333 SDRAM
- Two-finger Touch Control while Wearing Gloves
- Internal SATA 2.5" HDD and mSATA Socket

Applications

- Human Machine Interface (HMI)
- Factory / Manufacturing Automation
- ATM / Self-service / Kiosk Applications
- Vending Machine / Ticketing Machine

→ Packing List

Description
1 x PPC-102
1 x Power Adapter (AC-to-DC, 12 V @ 5 A, 60 W)
2 x Panel Mounting Screws

→ Optional Items

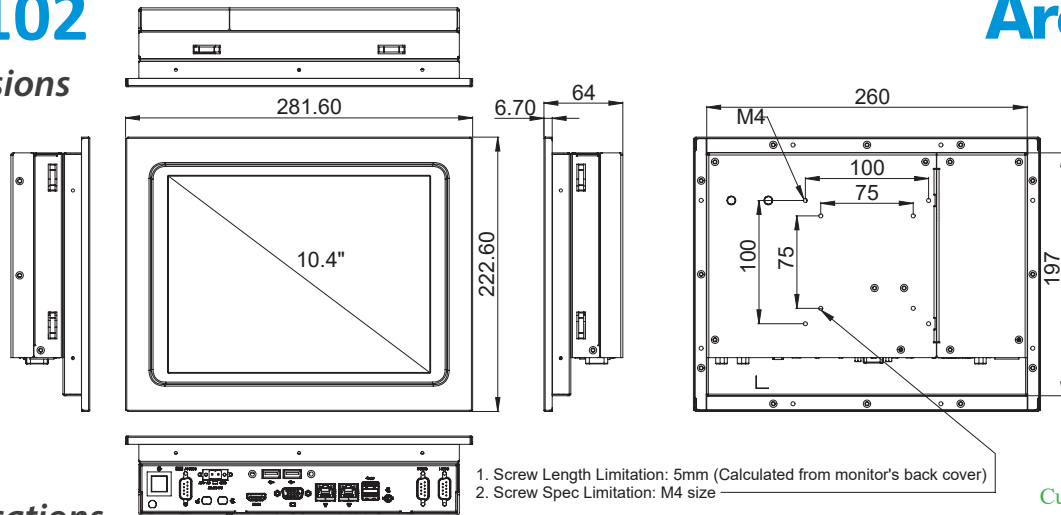
Part No.	Description
ACS-PS-US	Power Cable 3-pin, 180 cm, USA Type
ACS-PS-EU	Power Cable 3-pin, 180 cm, Euro Type
ACS-PS-CN	Power Cable 3-pin, 180 cm, China Type
ACS-100-STD	VESA Table Stand

→ Ordering Information

Part No.	Description
PPC-102P-A1	10.4" Fanless Projected Capacitive Touch Panel PC with Intel® Celeron® J1900 2.0 GHz Processor
PPC-102R-A1	10.4" Fanless 5-wire Resistive Touch Panel PC with Intel® Celeron® J1900 2.0 GHz Processor

PPC-102

→ Dimensions



Cut out : 262*199mm

→ Specifications

Model		PPC-102P	PPC-102R
Processor System	CPU	Intel® Celeron® Processor J1900	
	Frequency	Quad-Core up to 2.0 GHz	
	L2 Cache	2 MB	
	System Chipset	N/A	
	BIOS	UEFI	
Memory	Technology	DDR3L 1333 MHz SDRAM	
	Max. Capacity	8 GB	
	Socket	1 (204-pin SO-DIMM)	
Display	Panel Size	10.4" LED Panel	
	Resolution	800 x 600 (SVGA)	
	Viewing Angle	80 x 80 (H) x 70 x 70 (V)	
	Brightness	230 (cd/m ²)	
	Color Support	16.2M	
	Contrast Ratio	500:1	
	Response Time	35 (msec)	
	VGA	Up to 1920 x 1200	
	HDMI	HDMI 1.4a up to 1920 x 1200	
	Dual Display	LCD + VGA or LCD + HDMI	
Touchscreen	Touchscreen Type	Projected Capacitive	5-Wire Resistive
	Surface Hardness	7 Mohs	3 Mohs
	Durability	-	36 millions times
	Transparency	90% (±3%)	80% (±3%)
I/O Interface	USB	2 USB 3.0, 2 USB 2.0	
	Serial Port	3 COM (2 RS-232, 1 RS-232/422/485)	
	Digital I/O	N/A	
	Expansion	2 Mini PCIe (1 full-size Mini PCIe or mSATA, selected by jumper setting; 1 half-size Mini PCIe)	
Ethernet	Controller	Dual GbE, 10/100/1000 Mbps (Realtek RTL8111G-CG)	
Audio	Chipset	Realtek ALC662 High Definition Audio (HD), line out	
	Connector	Line out	
Storage	mSATA	Supports either mSATA or full-size Mini PCIe, selected by jumper setting	
	SATA II	1 Internal 2.5" HDD/SSD	
Power	Power Supply Voltage	Supports 9-36 V DC input (Phoenix Connector)	
	Power Adaptor	AC-to-DC, 12 V @ 5 A, 60 W	
	Power Consumption (Typical)	1.16 A @ 12 V (13.9 W)	
	Power Consumption (Max.)	1.44 A @ 12 V (17.3 W)	
	Battery	Lithium 3 V / 210 mAh	
Environment	Operating Temperature	0~50° C (32~122° F) w/ 2.5" SSD	
	Storage Temperature	-40~85° C (-40~185° F)	
	Humidity	5~95% @ 40° C, non-condensing	
	Vibration	5-500 Hz, 0.026 G ² /Hz, 2.16 Grms, X, Y, Z, 1 hour per axis	
	Certification	CE, FCC Class A	
General	Ingress Protection	IP54	
	Dimensions (L x W x H)	281.6 x 222.6 x 59 mm (11.08" x 8.76" x 2.32")	
	Weight	1.83 kg (4.02 lb)	1.80 kg (3.97 lb)
	Operating System	Windows 7/8.1/10, WES7-E/P, WE8S, Ubuntu 14.04	