

Mini-ITX Series

NEW

VIA

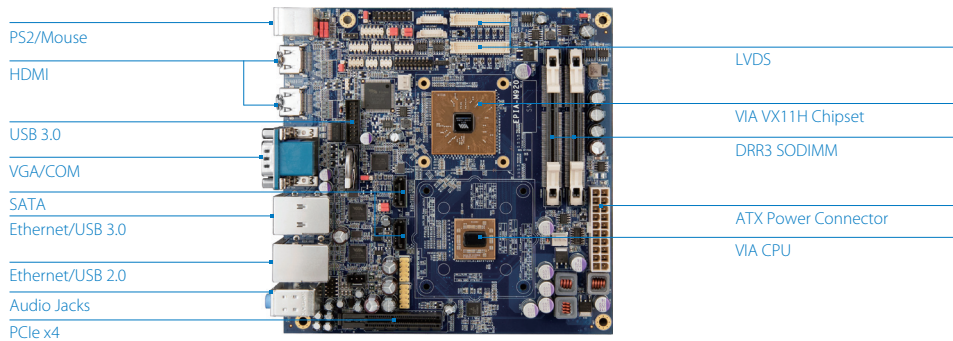
EPIA-M920

Highly-integrated low-power platform with rich feature set and multimedia capabilities

Features

- Compact 17cm x 17cm Mini-ITX form factor
- Fanless 1.6GHz VIA Eden® X4 and 1.0GHz VIA Eden® X2 processor options
- Dual Gigabit Ethernet
- DX11 graphics with MPEG-2/WMV9/VC1/H.264 decoding acceleration
- Rich feature set

Board Placement

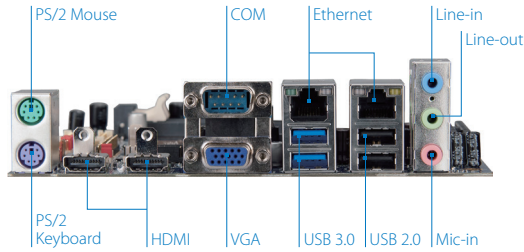


Specifications

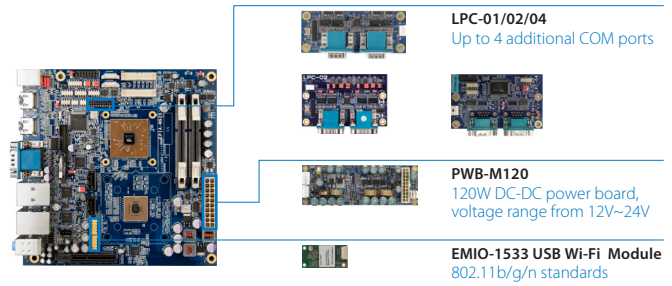
Model Name	EPIA-M920-20Q	EPIA-M920-16QE	EPIA-M920-10E
Processor	2.0GHz VIA QuadCore E-Series (with Fan)	1.6GHz VIA Eden® X4 (Fanless)	1.0GHz VIA Eden® X2 (Fanless)
Chipset	VIA VX11H Media System Processor		
BIOS	AMI Aptio UEFI BIOS, 4MB Flash memory		
System Memory	2 DDR3 1333 SODIMM slots Up to 8GB memory per slot		
Storage	2 SATA connectors		
Graphics	Integrated Chrome® 640 DX11 3D/2D graphics with MPEG-2, WMV9, VC1 and H.264 video decoding acceleration		
LAN	Realtek RTL8111G		VT6130
Audio	VIA VT2021 High Definition Audio Codec		
Super I/O	Fintek F71869E		
Expansion I/O	1 PCIe x4 slot		
Onboard I/O	2 SATA connectors 2 SATA DOM power selectors 1 USB 3.0 pin header for 1 port 2 USB 2.0 pin headers for 4 ports 1 Dual channel 18/24-bit LVDS panel connector 1 Single channel 18/24-bit LVDS panel connector 3 COM port pin headers (powered with selectable 5V/12V) 1 LPC pin header 1 SMBus pin header 1 S/PDIF-out connector 1 Digital I/O pin header (4 GPI + 4 GPO) 1 Front audio pin header for Line-out, Mic-in 2 Smart Fan pin headers for CPU and system 2 Backlight control connectors for inverter power and brightness control 1 SD card (SDHC/SDXC) pin header 1 ATX power connector 1 PCIe x4 slot		
Back Panel I/O	2 USB 3.0 ports 2 USB 2.0 ports 2 HDMI ports 1 VGA port 1 COM (powered with selectable 5V/12V) 2 Gigabit Ethernet ports 3 Audio jacks: Line-in, Line-out, and Mic-in 2 PS/2 keyboard/mouse ports		
Power Supply	ATX power connector		
Operating System	Windows 10/8.1/8/7, WES 7, Linux, POSReady 7		
System Monitoring & Management	Wake-on-LAN, Keyboard Power-on, Timer Power-on, System power management, AC power failure recovery, Watch Dog Timer		
Operating Temperature	0°C ~ 60°C		
Operating Humidity	0% ~ 95% (non-condensing)		
Form Factor	Mini-ITX (17cm x 17cm, 6.7" x 6.7")		
Compliance	CE/FCC		



Back Panel I/O



Accessories



Ordering Information

Model Name	CPU Frequency	Description
EPIA-M920-20Q	VIA QuadCore E-Series @ 2.0GHz	Mini-ITX board with 2.0GHz VIA QuadCore E-Series CPU with 2 HDMI, VGA, 2 LVDS, 3 USB 3.0, 6 USB 2.0, 4 COM, 2 Gigabit Ethernet, 2 SATA, PCIe x4 slot, ATX power connector
EPIA-M920-16QE	VIA Eden® X4 @ 1.6GHz	Mini-ITX board with 1.6GHz VIA Eden® X4 CPU with 2 HDMI, VGA, 2 LVDS, 3 USB 3.0, 6 USB 2.0, 4 COM, 2 Gigabit Ethernet, 2 SATA, PCIe x4 slot, ATX power connector
EPIA-M920-10E	VIA Eden® X2 @ 1.0GHz	Mini-ITX board with 1.0GHz VIA Eden® X2 CPU with 2 HDMI, VGA, 2 LVDS, 3 USB 3.0, 6 USB 2.0, 4 COM, 2 Gigabit Ethernet, 2 SATA, PCIe x4 slot, ATX power connector

Optional Accessories

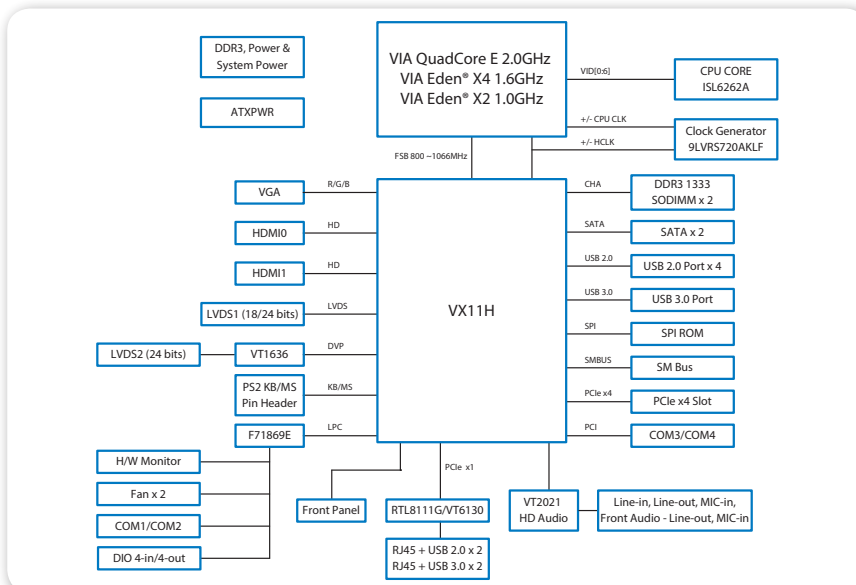
I/O Expansion Cards

Part Number	Description
LPC-01	Expansion module for four COM ports
LPC-02	Expansion module for four COM ports (5V or 12V)
LPC-04	Expansion module for two or four COM ports (5V or 12V)
PWB-M120	120W DC-DC power board, voltage range from 12V~24V

Wireless Modules

Part Number	Description
EMIO-1533-00A2	VNT9271 IEEE 802.11 b/g/n USB Wi-Fi module with assembly kit

Block Diagram



Packing List

Items
EPIA-M920 board
SATA cable
I/O bracket