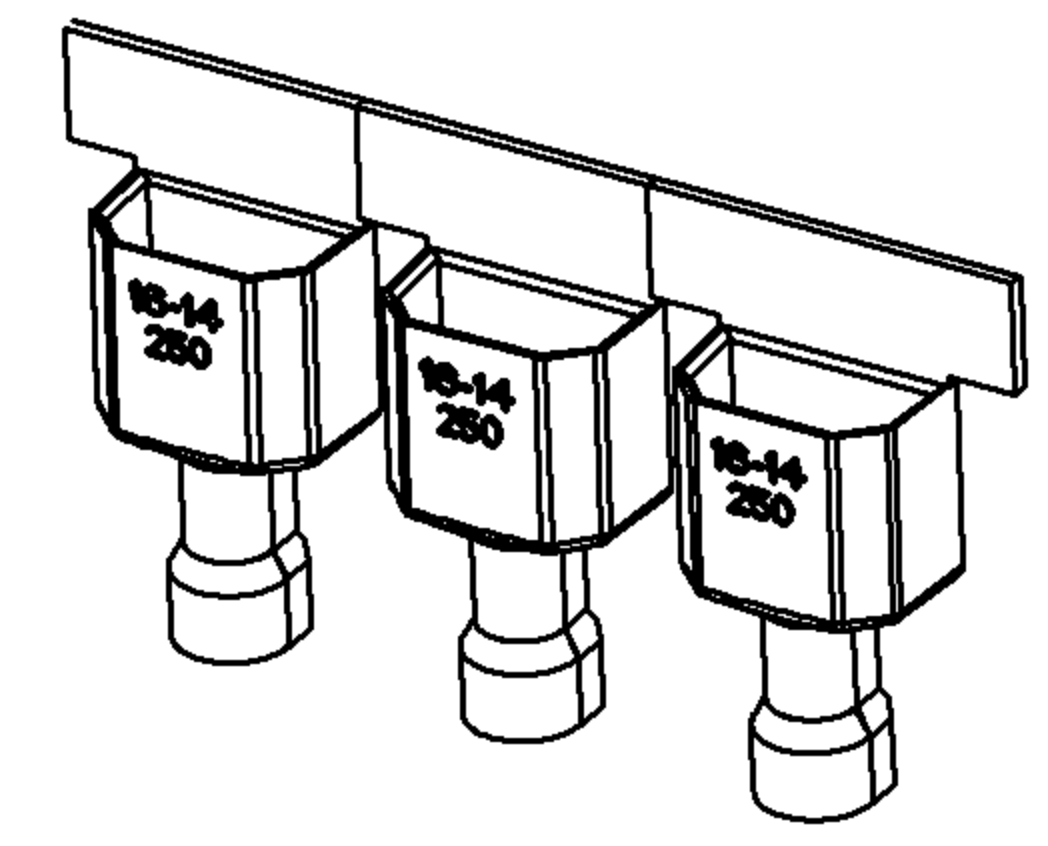
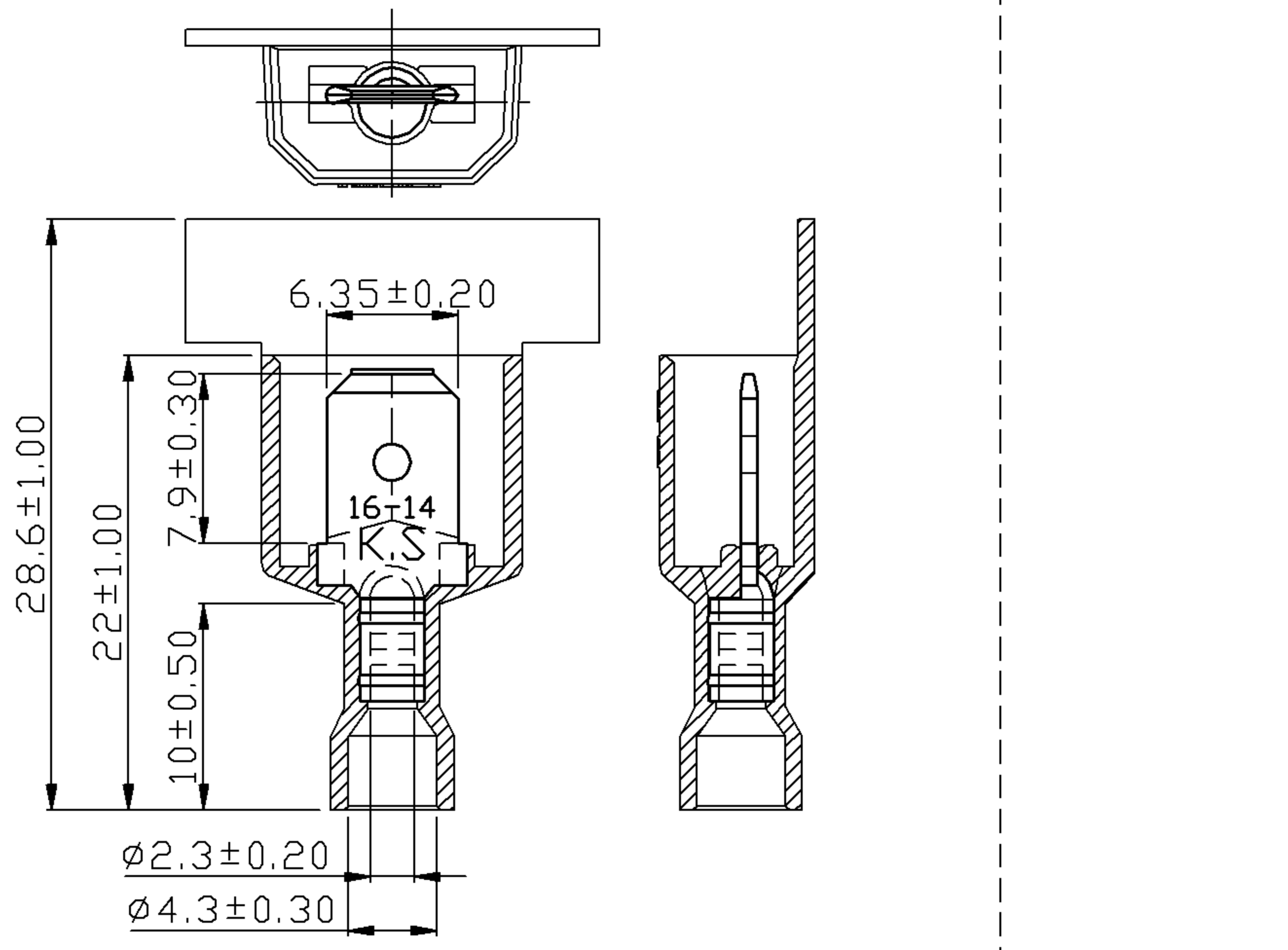
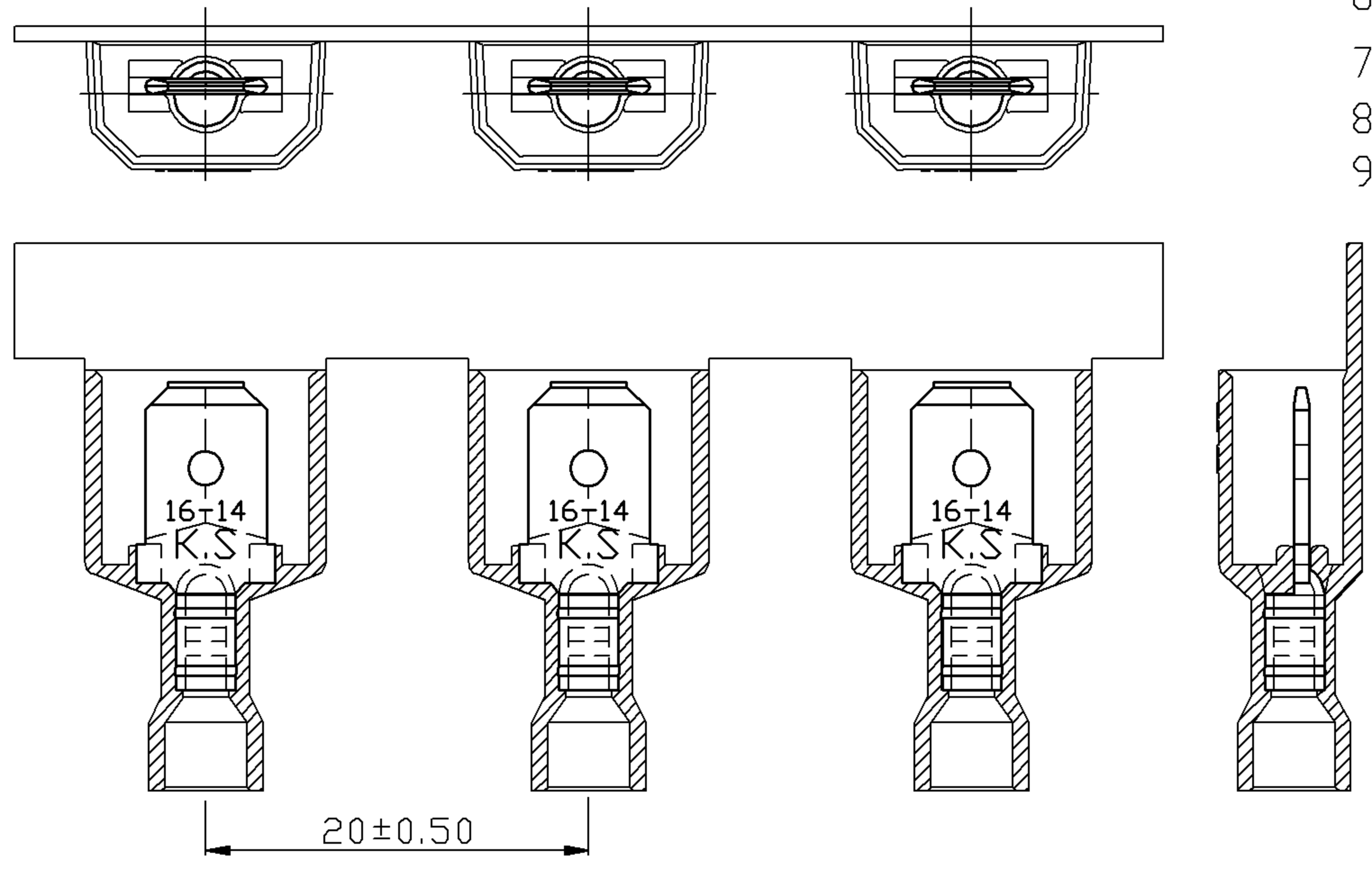


REV	DESCRIPTION	DATE
-----	-------------	------



- NOTE :
- MAXIMUM ELECTRIC CURRENT : 

A.W.G.	16	14	
AMP.	10	15	
  - MAXIMUM ELECTRICAL RATING : 105°C 300 VOLTS MAX.
  - INSULATION MATERIAL : NYLON
  - INSULATION COLOR : BLUE
  - TERMINAL MATERIAL : BRASS
  - WIRE RANGE : 16-14 A.W.G. ( 1.5-2.5 mm<sup>2</sup> )
  - NEMA TAB : 0.032 inch \* 0.250 inch ( 0.8 mm \* 6.35 mm )
  - TERMINAL SURFACE TREATMENT : TIN PLATED
  - TERMINAL THICKNESS : 0.40 mm



Tolerance Unless Otherwise Specified	
0 > 6 mm ± 0.20	ANGLE
6 > 18 mm ± 0.30	0° > ° REF ±
18 > 30 mm ± 0.40	° > ° ±
30 > 75 mm ± 0.50	° > ° ±

NAME	PLASTIC STRIP ON REEL TYPE (NYLON-INSULATED PS SERIES)	UNIT	mm	
PART NO.	MDFNY2-250A-PS	MATERIAL	-----	APPROVE
NUMBER	KA-980076-C	SCALE	SHEET PAGE	CHECKED
DATE	2009/08/05	4/1	1-0 10F1	DRAWN 張馨尹

**KST. K.S. TERMINALS INC.**